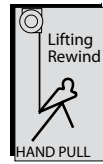


**SERIES "G" FEATURES
GENERAL PURPOSE MODELS**

- All-Welded Solid Steel Construction
- Slip Rings in NEMA 4 Enclosure
- Generously Sized Junction Box
- Heavy Duty Mounting Base
- Safetychange® Spring Motor
- Weatherproof Gasket on Spring Motor
- Positive Ratchet Lock with Disengage
- Multi-position Cable Guide (Field Adjustable)
- Orange Polyester Baked-On Finish
- Cable Included
- Field Adjustable Cable Stop Included
- Optional 340° Pivot Base
- Contact Factory if Mount Height is More than 20 ft.

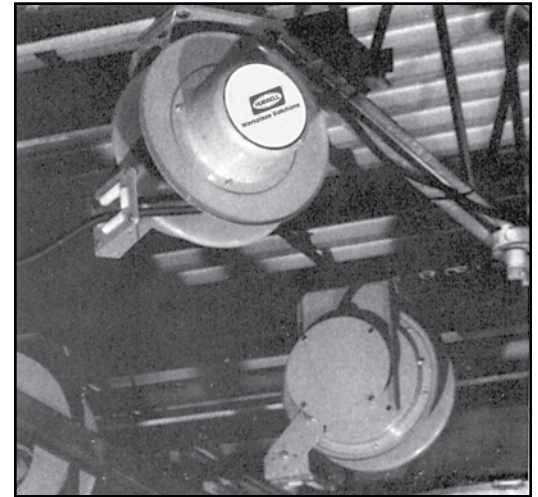


Models listed below are
UL and CSA listed.

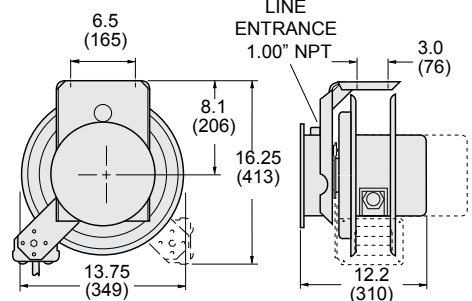
Series "G" Model Chart CABLE IS INCLUDED

CABLE DATA				REEL CATALOG NUMBER	FLANGE DIA. in. (mm)	WEIGHT COMPLETE lbs. (kg)	340° BASE (OPTIONAL)	CABLE STOP (INCLUDED)
TYPE SOOW CORD								
RATING @600V	AWG	NO. COND	LENGTH* ft. (m)					
10 Amp		3	20 (6.0)	G-232	14 (356)	39 (17.6)	PB14	CP-2
			30 (9.0)	G-224		42 (18.9)		
			40 (12.0)	G-231		48 (21.6)		
			45 (13.5)	G-228		49 (22.0)		
			60 (18.0)	G-429		82 (36.9)		
8 Amp	16	4	20 (6.0)	G-233	14 (356)	40 (18.0)	PB14	CP-2
			30 (9.0)	G-234		44 (19.8)		
			40 (12.0)	G-244		48 (21.6)		
		50 (15.0)	G-238	49 (22.0)				
		60 (18.0)	G-439	82 (36.9)				
		45 (13.5)	G-206	54 (24.3)				
7 Amp		8	50 (15.0)	G-26B	14 (356)	56 (25.2)	PB14	CP-3
			40 (12.0)	G-28B		56 (25.2)		
		45 (13.5)	G-38B	56 (25.2)				
		35 (10.5)	G-30B	54 (24.3)				
15 Amp		3	35 (10.5)	G-32B	14 (356)	55 (24.8)	PB14	CP-2
			20 (6.0)	G-331		40 (18.0)		
			30 (9.0)	G-253		46 (20.7)		
			40 (12.0)	G-334		50 (22.5)		
			50 (15.0)	G-358		54 (24.3)		
12 Amp	14	4	70 (21.0)	G-459	16 (406)	84 (37.8)	PB16	CP-2
			20 (6.0)	G-342		40 (18.0)		
			25 (7.5)	G-343		44 (19.8)		
			30 (9.0)	G-363		48 (21.6)		
			40 (12.0)	G-344		52 (23.4)		
		50 (15.0)	G-367	56 (25.2)				
		65 (17.5)	G-469	86 (38.7)				
		35 (10.5)	G-36C	52 (23.4)				
		50 (15.0)	G-46C	92 (41.4)				
		10 Amp		8	25 (7.5)	G-38C	16 (406)	
30 (9.0)	G-48C				49 (22.1)			
20 (6.0)	G-40C				53 (23.9)			
20 Amp	12	3	20 (6.0)	G-332	14 (356)	40 (18.0)	PB14	CP-2
			25 (7.5)	G-383		44 (19.8)		
			30 (9.0)	G-333		46 (20.7)		
		35 (10.5)	G-385	47 (21.2)				
		45 (13.5)	G-435	55 (24.8)				
		50 (15.0)	G-436	69 (31.1)				
60 (18.0)	G-430	85 (38.3)						
16 Amp		4	20 (6.0)	G-346	14 (356)	40 (18.0)	PB14	CP-2
			30 (9.0)	G-394		48 (21.6)		
		40 (12.0)	G-444	52 (23.4)				
		50 (15.0)	G-445	86 (38.7)				
14 Amp		6	60 (18.0)	G-446	16 (406)	89 (40.1)	PB16	CP-3
			25 (7.5)	G-463		51 (23.0)		
25 Amp	10	3	20 (6.0)	G-482	14 (356)	52 (23.4)	PB14	CP-2
			20 (6.0)	G-241		44 (19.8)		
			25 (7.5)	G-242		46 (20.7)		
		30 (9.0)	G-433	48 (21.6)				
		40 (12.0)	G-434	50 (22.5)				
		50 (15.0)	G-535	86 (28.7)				
20 Amp		4	60 (18.0)	G-536	16 (406)	89 (40.1)	PB16	CP-2
			20 (6.0)	G-452		49 (22.1)		
			30 (9.0)	G-443		52 (23.4)		
		40 (12.0)	G-447	88 (39.6)				
		50 (15.0)	G-545	92 (41.4)				
		20 (6.0)	G-462	52 (23.4)				
20 Amp		6	30 (9.0)	G-564	16 (406)	80 (36.0)	PB16	CP-2
			20 (6.0)	G-462		52 (23.4)		

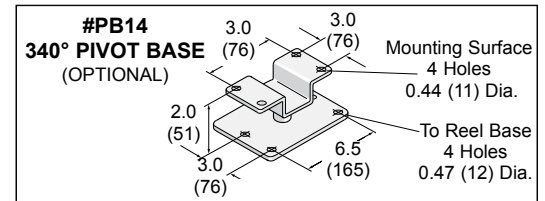
* Length of cable listed is for ACTIVE travel.



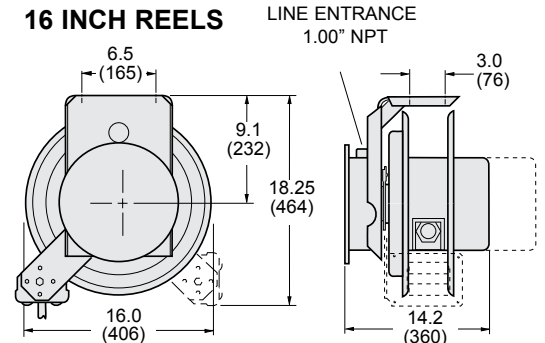
14 INCH REELS



Length shown 3 or 4 conductor reel.
For 5 - 8 conductor, add 1.50" (38mm).
For 9 - 12 conductor, add 3.00" (76mm).



16 INCH REELS



Length shown 3 or 4 conductor reel.
For 5 - 8 conductor, add 1.50" (38mm).
For 9 - 12 conductor, add 3.00" (76mm).

