

Suggested Anchoring

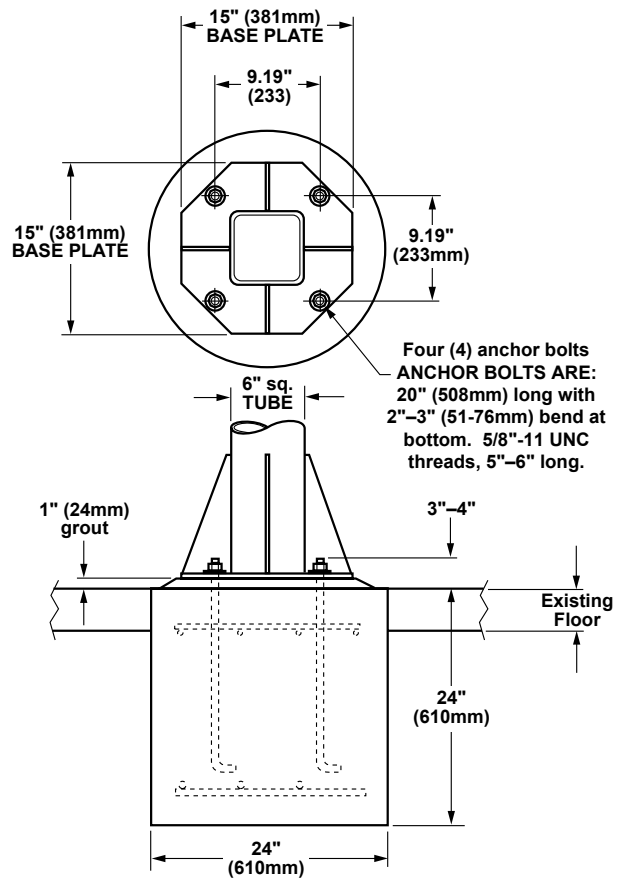
Model W5S-181202 18' Jib and Model WS00-VCS10 Support Column

WARNING

Improperly anchored jibs and support columns could result in personal injury or equipment damage. Be sure anchor bolts will withstand forces exerted on them by dynamic loads supported on jib boom.

FOUNDATION

24" (610MM) X 24" (610MM) deep reinforced concrete.
 Soil pressure 2500 lb/sq. ft.
 3000 lb./sq. in. compressive concrete.
 Place 1/2" dia. reinforcing rods at top and 5/8" reinforcing rods at bottom in an opposing pattern in two layers 16" apart with 6" spacing between rods in same layer .



Workplace Solutions

Gleason Reel Corp.
 P.O. Box 26 • 600 South Clark St.
 Mayville, WI 53050
 Phone 920-387-5195