



# SERIES GH HOSE REELS

COMMERCIAL / INDUSTRIAL APPLICATIONS  
MOUNT FROM CEILING, WALL OR UNDER BENCH

Choose 1/4", 3/8", 1/2" or 3/4" hose. Reels feature spring rewind and ratchet lock, multi-position four roller hose guide and adjustable hose stop. Rugged steel construction. Steel components protected by durable baked polyester finish. Consult factory if installation height is greater than 16'.



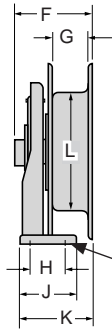
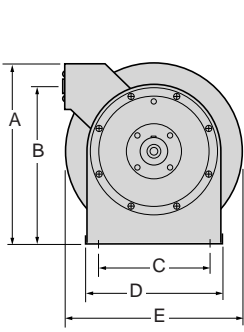
HOSE REEL DATA

MODEL NUMBER	I.D. inch	LENGTH feet	MAX PRESSURE psi	APPLICATION	DESCRIPTION	INPUT HOSE FITTING	O.D. inch	WGT (LB)
GHA2525-L	1/4	25	300	Air/Water	25' of low pressure 1/4" ID Hose	1/4 NPTF	0.51	23
GHA2535-L	1/4	30	300	Air/Water	35' of low pressure 1/4" ID Hose	1/4 NPTF	0.51	24
GHB2550-L	1/4	50	300	Air/Water	50' of low pressure 1/4" ID Hose	1/4 NPTF	0.51	26
GHA3825-L	3/8	25	300	Air/Water	25' of low pressure 3/8" ID Hose	3/8 NPTF	0.65	23
GHB3835-L	3/8	35	300	Air/Water	35' of low pressure 3/8" ID Hose	3/8 NPTF	0.65	25
GHC3850-L	3/8	50	300	Air/Water	50' of low pressure 3/8" ID Hose	3/8 NPTF	0.65	36
GHE3870-L	3/8	70	300	Air/Water	70' of low pressure 3/8" ID Hose	3/8 NPTF	0.65	50
GHB5025-L	1/2	25	300	Air/Water	25' of low pressure 1/2" ID Hose	3/8 NPTF	0.77	30
GHC5035-L	1/2	35	300	Air/Water	35' of low pressure 1/2" ID Hose	3/8 NPTF	0.77	38
GHC5050-L	1/2	50	300	Air/Water	50' of low pressure 1/2" ID Hose	3/8 NPTF	0.77	40
GHE5050-L	1/2	50	300	Air/Water	50' of low pressure 1/2" ID Hose	3/8 NPTF	0.77	44
GHE7525-L	3/4	25	300	Air/Water	25' of low pressure 3/4" ID Hose	3/4 NPTF	0.81-0.90	50

All reels can be supplied without hose. Please consult factory for pricing.

## SERIES GH HOSE REEL DIMENSIONS

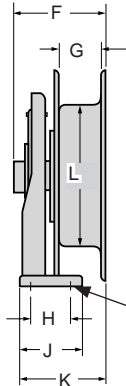
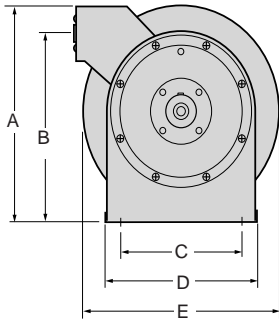
All dimensions in inches. For millimeters, multiply inches by 25.4.



Mounting Holes  
4x Ø 0.31

### FRAME SIZE GHA inches (mm)

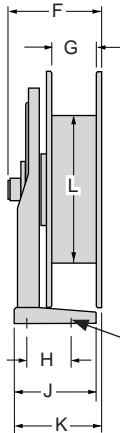
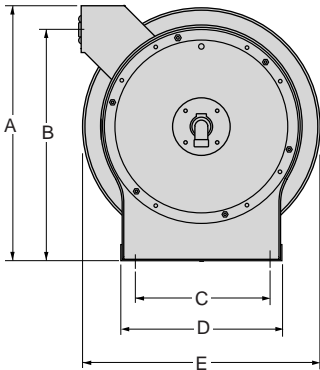
A	B	C	D	E	F	G	H	J	K	L
12.875	11.25	8.00	9.875	12.125	5.50	2.50	2.50	4.00	5.09	8.375
(327)	(286)	(203)	(250)	(308)	(140)	(64)	(64)	(102)	(132)	(213)



Mounting Holes  
4x Ø 0.31

### FRAME SIZE GHB inches (mm)

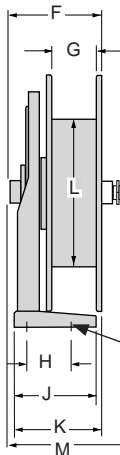
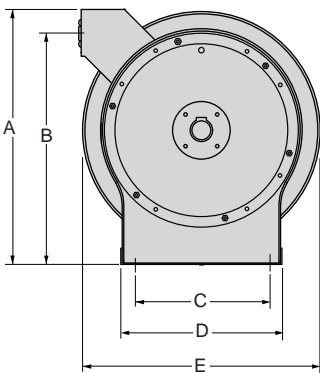
A	B	C	D	E	F	G	H	J	K	L
14.50	12.813	9.75	11.25	13.75	6.188	3.156	2.50	4.00	5.875	8.375
(368)	(325)	(248)	(285)	(349)	(157)	(80)	(64)	(102)	(149)	(213)



Mounting Holes  
4x Ø 0.31

### FRAME SIZE GHC inches (mm)

A	B	C	D	E	F	G	H	J	K	L
17.50	15.625	9.75	11.25	16.50	6.186	3.156	2.50	4.00	5.875	10.25
(445)	(286)	(248)	(285)	(419)	(157)	(80)	(64)	(102)	(149)	(260)



Mounting Holes  
4x Ø 0.46

Swivel this side  
GHE-XXXX-OA

### FRAME SIZE GHE inches (mm)

A	B	C	D	E	F	G	H	J	K	L	M
20.38	18.12	7.88	9.45	19.00	6.63	3.35	3.86	5.43	6.10	11.00	9.5
(518)	(460)	(200)	(240)	(483)	(168)	(85)	(98)	(138)	(155)	(280)	(241)



**Gleason Reel Corp.**  
600 South Clark St. • P.O. Box 26  
Mayville, WI 53050  
Phone: 920-387-4120  
Fax: 920-387-4189  
www.hubbell-gleason.com