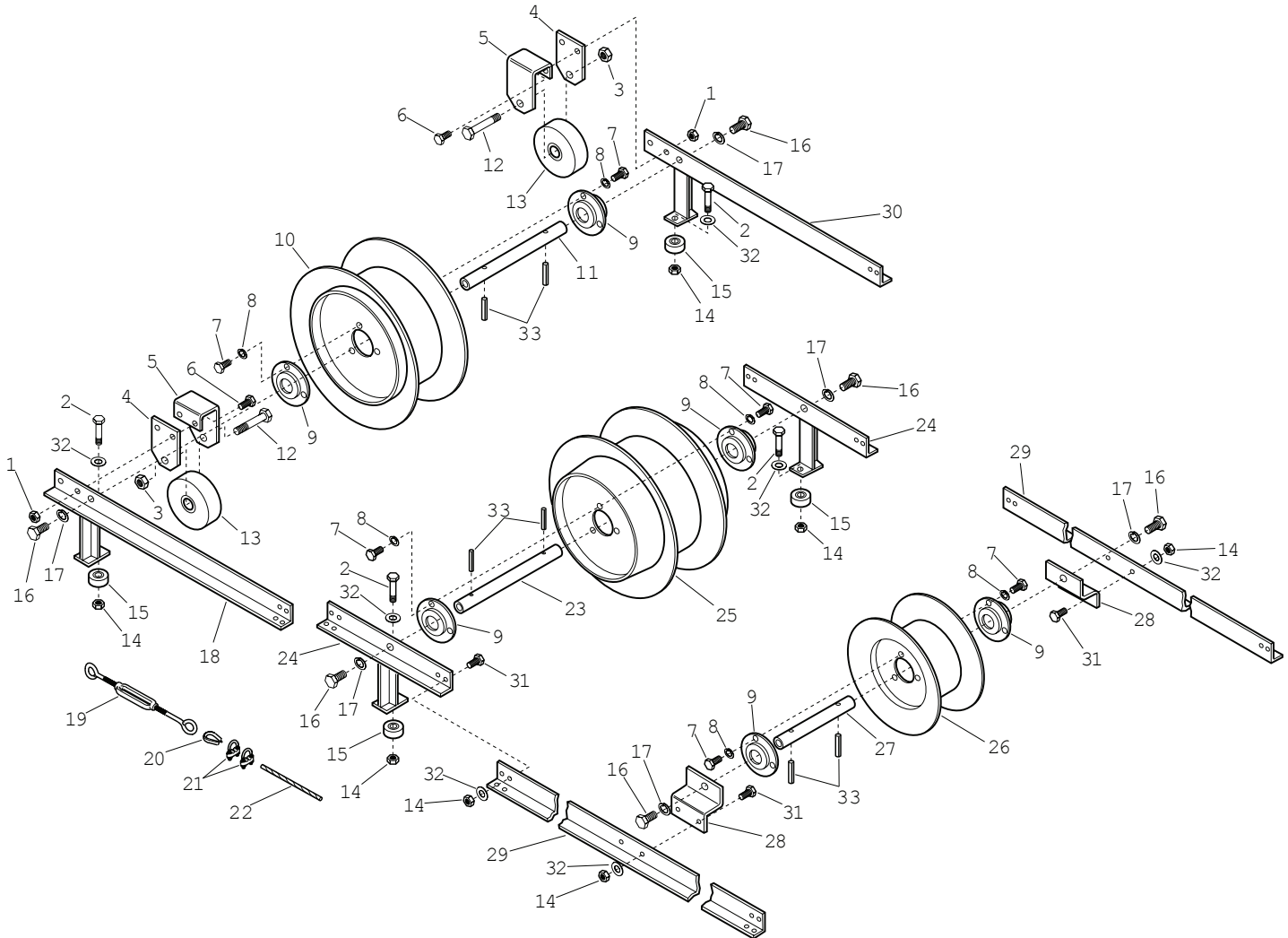


# 224R POWERTRAK CARRIAGE REPLACEMENT PARTS



ITEM	DESCRIPTION	ITEM	DESCRIPTION
1	Hex Lock Nut, 3/8-16	19	Turn Buckle—Double Eye Type
2	Hex Hd. Machine Bolt, 5/16-18 x 1.75 lg.	20	Thimble, 1/4"
3	Hex Lock Nut, 1/2-13	21	Wire Rope Clip, 1/4"
4	Wheel Bracket	22	Wire Rope
5	Wheel Bracket	23	Support Drum Shaft
6	Hex Hd. Machine Bolt, 3/8-16 x 1.125 lg.	24	Support Bracket
7	Hex Hd. Machine Bolt, 5/16-18 x .75 lg.	25	Support Drum Assembly
8	Lockwasher, 5/16	26	Intermediate Drum Assembly
9	Bearing	27	Intermediate Shaft
10	Guide Drum Assembly	28	Roller Bracket
11	Guide Drum Shaft	29	Connecting Angle
12	Hex Hd. Machine Bolt, 1/2-13 x 3.5 lg.	30	L. H. Guide Bracket
13	Steel Wheel	31	Hex Hd. Machine Bolt, 5/16-18 x .875"
14	Hex Lock Nut, 5/16-18	32	Flat Washer, 5/16"
15	Rubber Tread Ball Bearing Wheel	33	Spring Pin, 3/16" dia. x 1.125" lg.
16	Hex Hd. Machine Bolt, 5/8-11 x 1" lg.		
17	Lockwasher, 5/8"		
18	R. H. Guide Bracket		

**NOTE: Always specify serial number and model number of carriage assembly when ordering parts.**



**GLEASON REEL CORP.**  
P.O. BOX 26 • 600 South Clark St.  
Mayville, WI 53050-0026  
Phone: 920-387-4120  
FAX: 920-387-4189  
www.gleasonreel.com