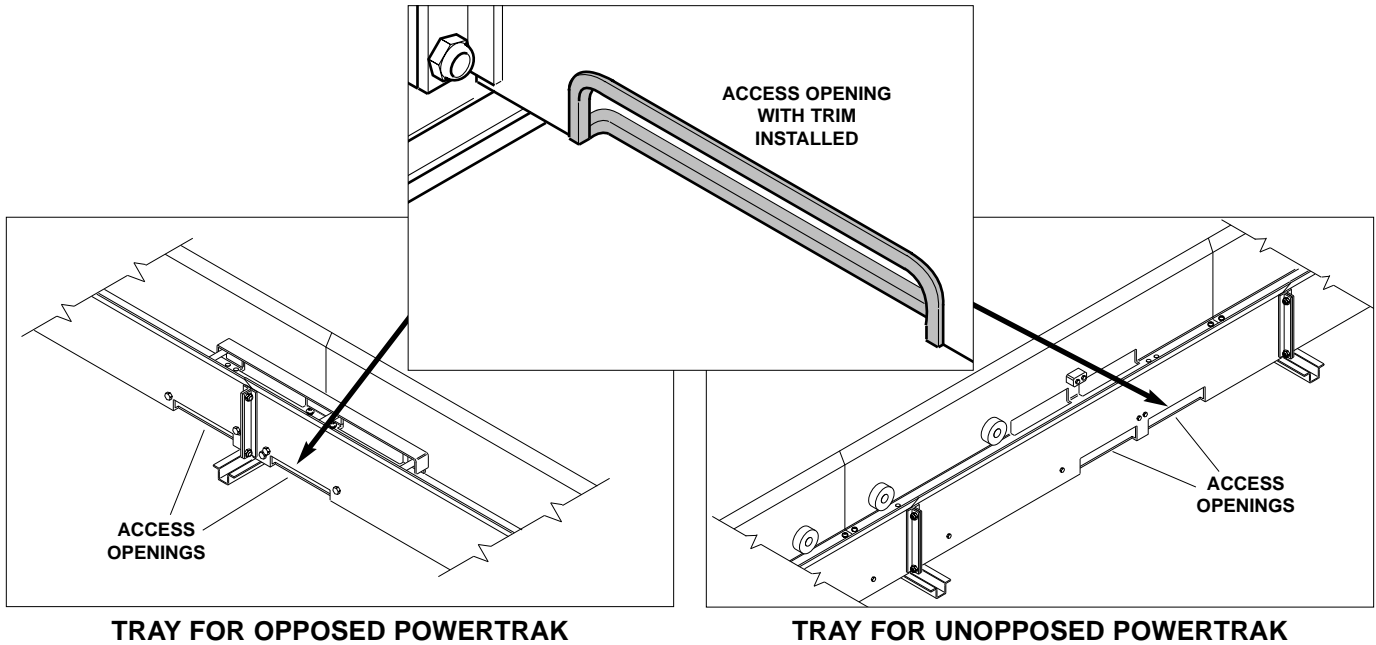


INSTALLATION INSTRUCTIONS

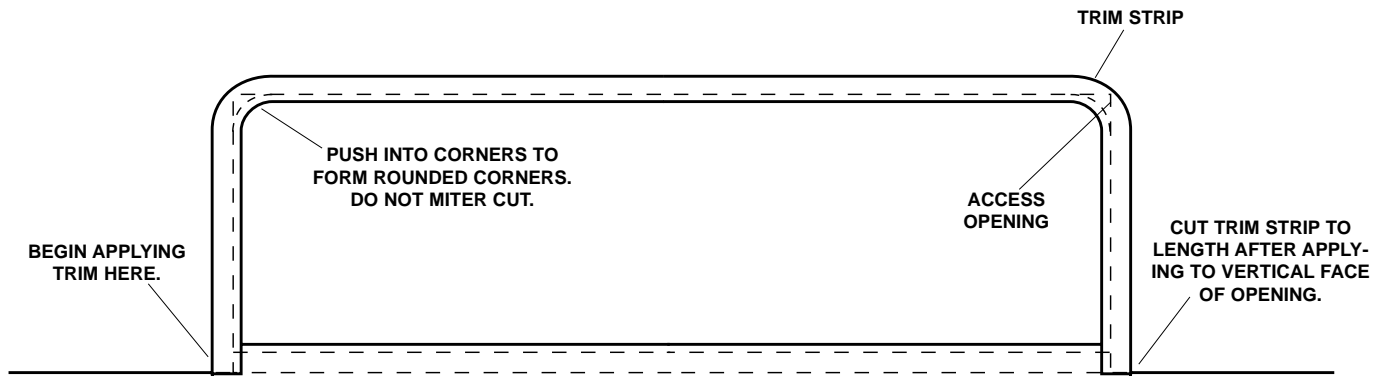
GUIDE TRAY ACCESS OPENING EDGE TRIM KIT

The EDGE TRIM KIT (Kit #039775 included with guide tray) provides added protection for cables and hoses at the access opening in PowerTrak Guide Trays. Each kit contains material to trim two openings and must be cut to length at time of installation.



INSTALLATION

1. Beginning at lower corner, apply trim by hand up end, across top and down opposite end of opening. Push into corners to form rounded corners. No mitering is required. **NOTE: Use large screwdriver to expand opening in strip if walls of guide tray are double thickness.**
2. Using tin snips or metal cutting shears, cut trim strip flush with bottom of tray. See drawing below.
3. Using same method, apply trim strip to bottom of access opening.



Gleason Reel Corp.

P.O. Box 26 • 600 South Clark St.
 Mayville, Wisconsin 53050-0026
 Phone 920-387-4120
 FAX 920-387-4189