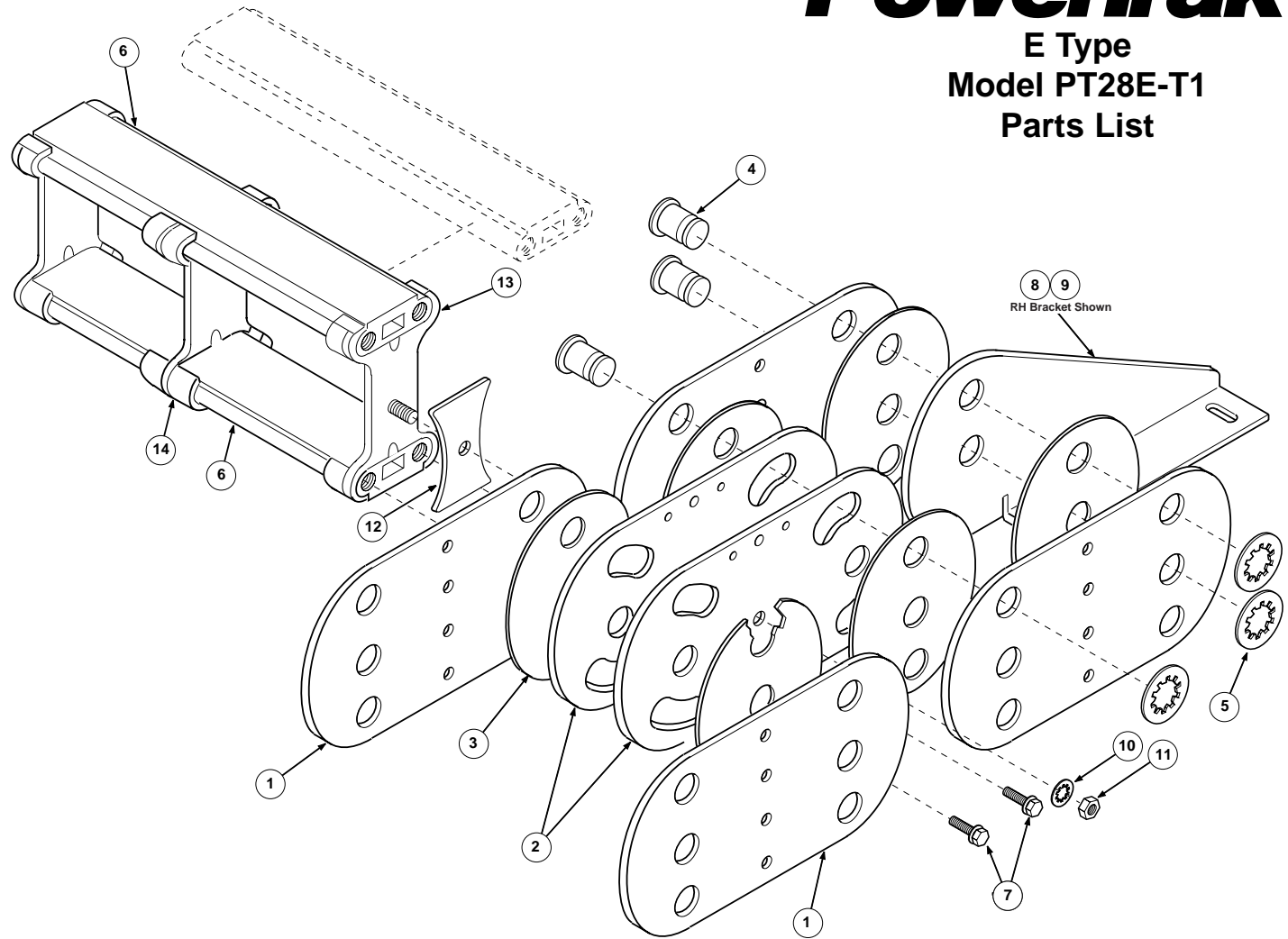


GLEASON® PowerTrak

E Type Model PT28E-T1 Parts List

ITEM	DESCRIPTION	PART NO.
1	Outer Link	P28E-00
2	Inner Link—2.95 radius	04555301
	" 3.74 radius	04555302
	" 4.53 radius	04555303
	" 5.31 radius	04555304
	" 6.10 radius	04555305
	" 7.87 radius	04555306
3	Anti-friction Disk	026727
4	Hinge Pin	P04-59
5	Circular Push-on	026949
6	Aluminum Channel—4.00" lg.	02705701
	" 6.00" lg.	02705702
	" 8.00" lg.	02705703
	" 10.00" lg.	02705704
	" 12.00" lg.	02705705
7	Whiz-Lock Screw	027396
8	Mounting Bracket, L.H.	P07-219
9	Mounting Bracket, R.H.	P07-220
10	#10 Internal Tooth Lockwsher	022453
11	#10-32 UNC Hex Nut	100938
12	Spacer Plate	045555
13	Retainer with Pem Stud	045557
14	Channel Separator	036270



SIDE CHAIN ASSEMBLY

(Includes items 1 thru 5)
Qty. 1 = one 1 ft. section
for one side only.
L.H. and R.H. chains identical.

RADIUS	PART NO.
2.95	09185201
3.74	09185202
4.53	09185203
5.31	09185204
6.10	09185205
7.87	09185206



GLEASON REEL CORP.
P.O. Box 26 • 600 South Clark St.
Mayville, WI 53050-0026
Phone 920-387-4120 • Fax 920-387-4189