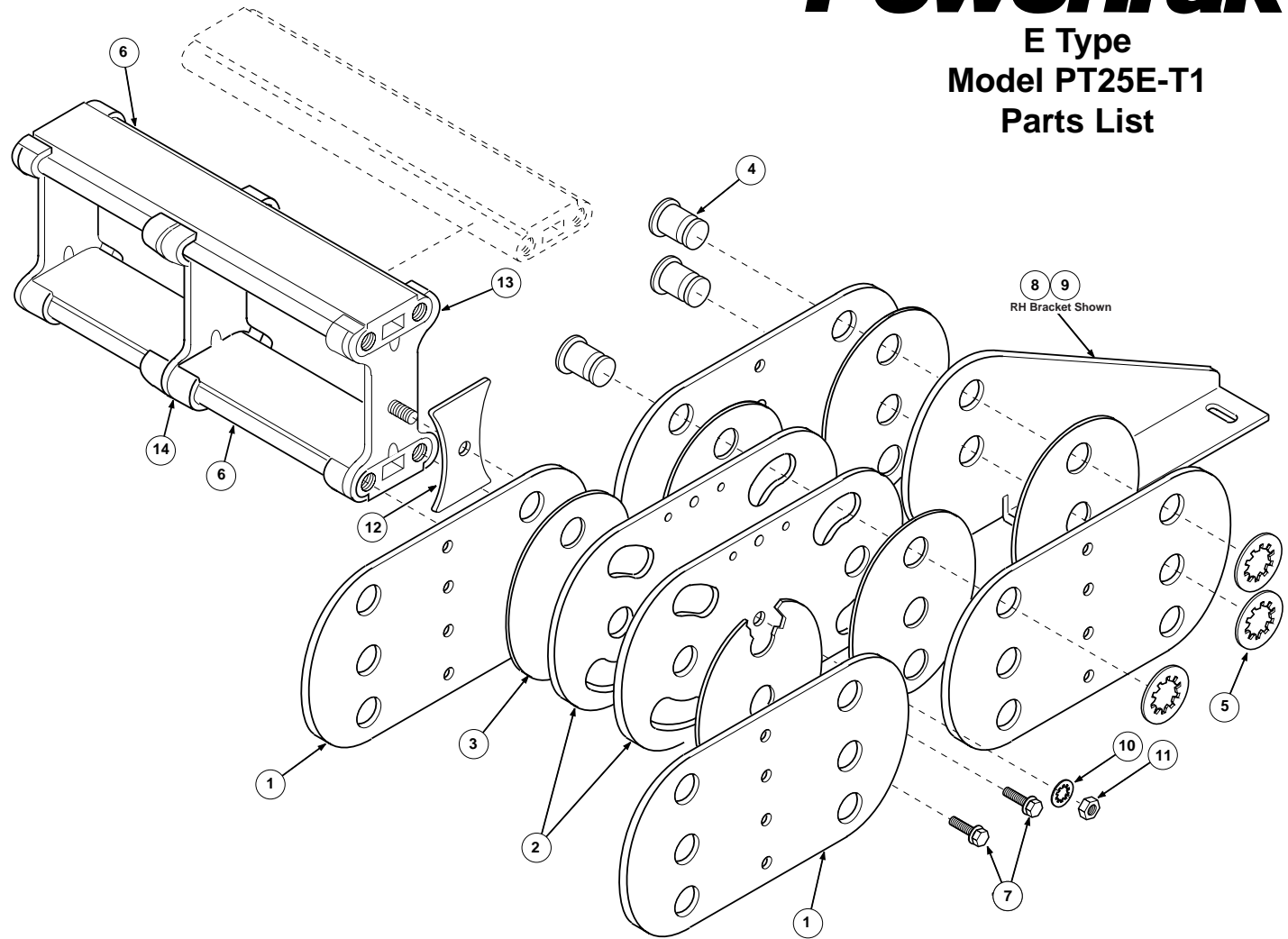


GLEASON® PowerTrak

E Type Model PT25E-T1 Parts List

ITEM	DESCRIPTION	PART NO.
1	Outer Link	P01-114
2	Inner Link—2.95 radius	04555201
	" 5.16 radius	04555202
	" 8.00 radius	04555204
	" 11.72 radius	04555203
3	Anti-friction Disk	025692
4	Hinge Pin	P04-59
5	Circular Push-on	026237
6	Aluminum Channel—4.00" lg.	02705701
	" 6.00" lg.	02705702
	" 8.00" lg.	02705703
	" 10.00" lg.	02705704
	" 12.00" lg.	02705705
7	Whiz-Lock Screw	027396
8	Mounting Bracket, L.H.	P07-207
9	Mounting Bracket, R.H.	P07-208
10	#10 Internal Tooth Lockwasher	022453
11	#10-32 UNC Hex Nut	100938
12	Spacer Plate	045554
13	Retainer with Pem Stud	045556
14	Channel Separator	036269



SIDE CHAIN ASSEMBLY

(Includes items 1 thru 5)
Qty. 1 = one 1 ft. section
for one side only.
L.H. and R.H. chains identical.

RADIUS	PART NO.
2.95	09185101
5.16	09185102
8.00	09185103
11.72	09185104



GLEASON REEL CORP.
P.O. Box 26 • 600 South Clark St.
Mayville, WI 53050-0026
Phone 920-387-4120 • Fax 920-387-4189