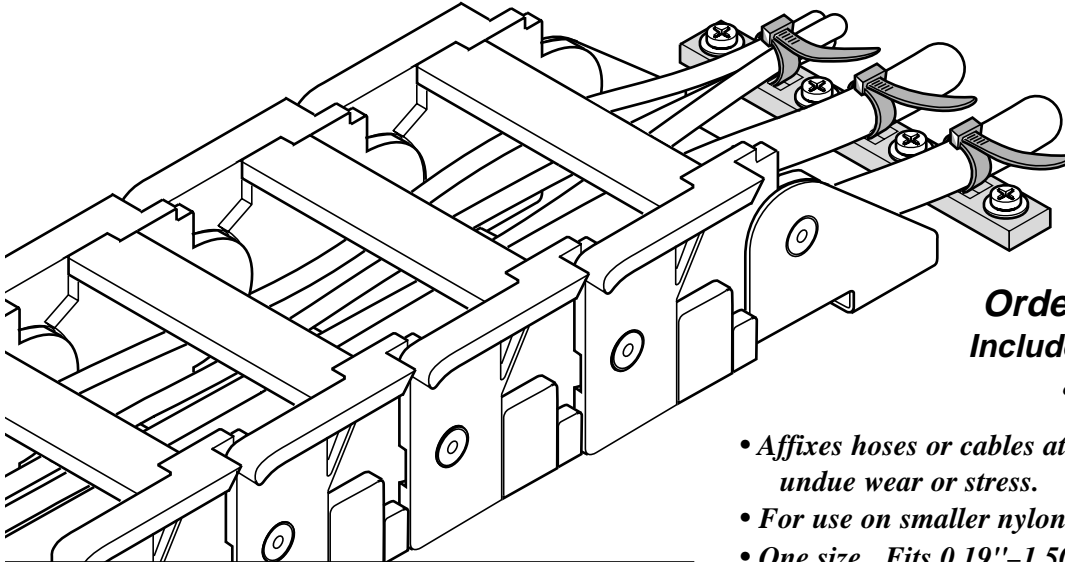
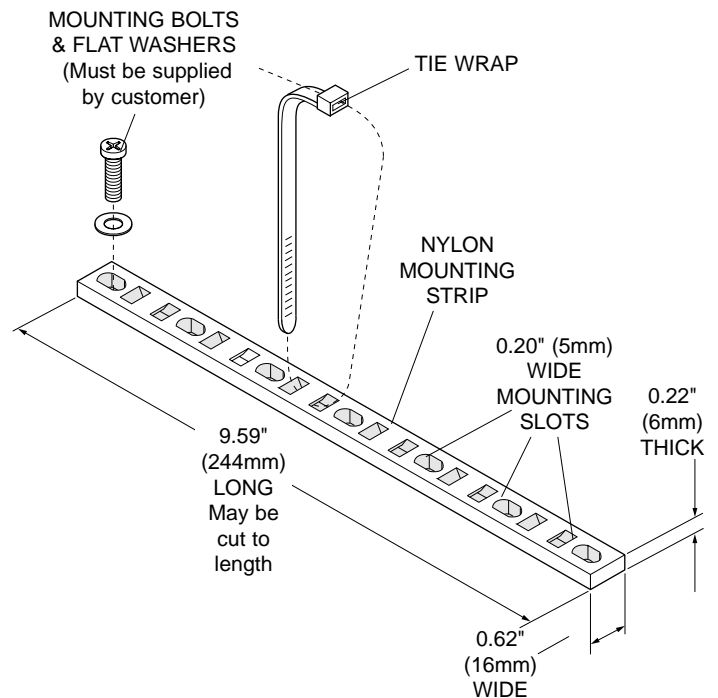
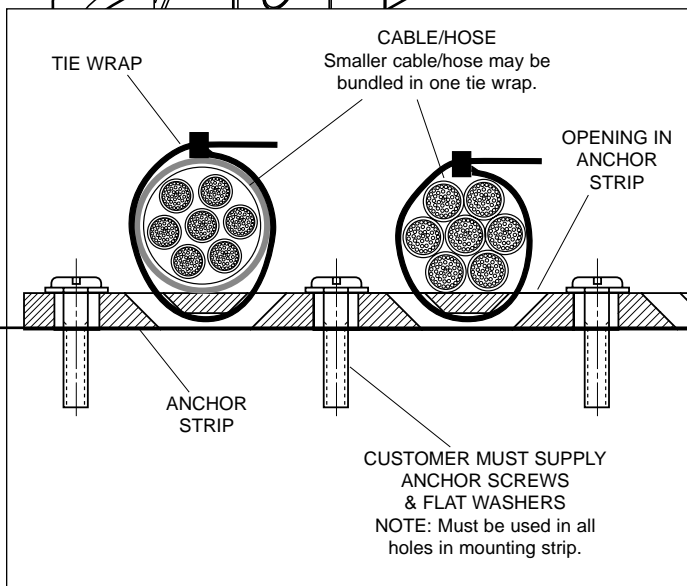


GLEASON **PowerTrak** CABLE/HOSE ANCHOR STRIP



Order Part No. 041245
Includes nylon anchor strip
and 6 tie wraps

- Affixes hoses or cables at ends of trak to prevent undue wear or stress.
- For use on smaller nylon or steel trak.
- One size. Fits 0.19"–1.50" o.d. cable/hose or bundle.
- Each kit includes nylon anchor strip and 6 tie wraps. Mounting hardware not included.
- Anchor strip may be cut to length required.



INSTALLATION

1. If desired, cut anchor strip to match trak width or to provide required number of tie positions.
2. Securely affix anchor strip using screws and flat washers appropriate for surface material.
3. Position cables/hoses. Slide tie wrap through opening in anchor strip and tighten securely around cable/hose.



Gleason Reel Corp.

P.O. Box 26, 600 S. Clark St.
Mayville, Wisconsin 53050-0026
Phone 920-387-4120 • FAX 920-387-4189