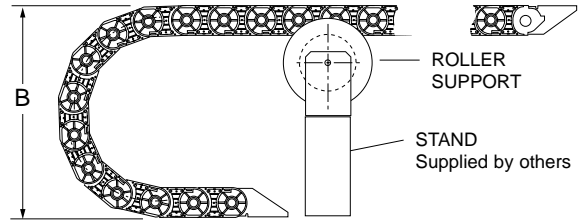


Optional Accessories

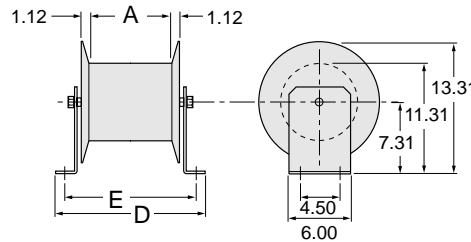
Roller Supports

Roller supports are mounted in a stationary position to increase the total travel capability of PowerTrak. When a given PowerTrak type will not handle the total weight of your cables and hoses when self-supported, adding one or two support rollers may solve the problem.

See “Adding Roller Supports” in “Applying type “G” PowerTrak” for support application. Roller supports are not recommended for use with Types 25G & 28G.



PART NUMBER	CARRIER WIDTH C	A	D	E
090166	4.00	7.63	14.63	13.13
090167	6.00	9.63	16.63	15.13
090168	8.00	11.63	18.63	17.13
090169	10.00	13.63	20.63	19.13
090170	12.00	15.63	22.63	21.13
090171	14.00	17.63	24.63	23.13
090172	16.00	19.63	26.63	25.13



HEIGHT OF STAND (stand supplied by others)
 may be calculated using the formula:
 $B - (\text{Link Height} + 11.31)$
 B = PowerTrak Height
 See “Dimensions” tables (pages 12, 14, & 16) for “B” and Link Height for each type and radii PowerTrak.

Chip Covers

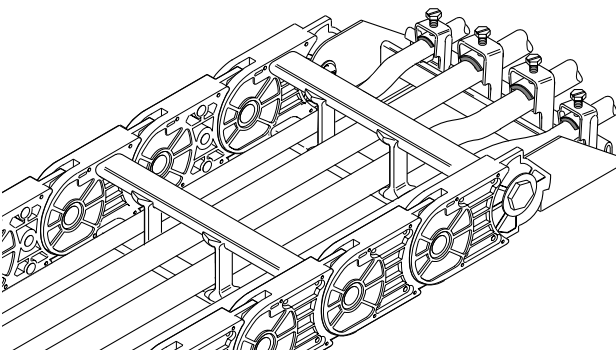
Stainless steel chip covers on both sides of the PowerTrak protect cable and hoses against hot chips and mechanical damage. For use in standard, opposed and combination travel configurations only. May be used with optional roller supports.

Not intended for long travels using guide tray or carriage. Please consult factory for recommendations.

Other Options:

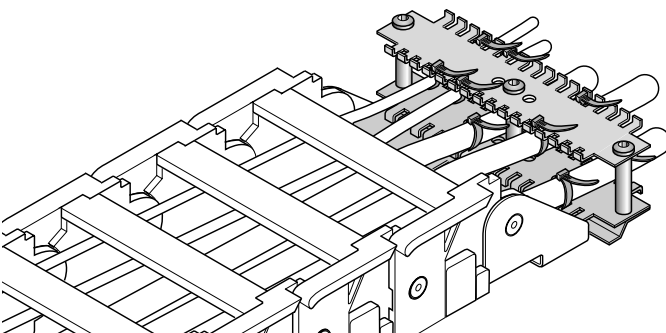
- Stainless steel hardware, nuts, bolts, and washers.
- Hard coated anodized aluminum carriers.
- Splice kits.

Cable/hose Anchor Clamps



- *Affixes hoses or cables at ends of trak to prevent undue wear or stress.**
 - *Seven sizes, for hose or cable 0.38" to 2.12" O.D.*
 - *Rugged zinc plated steel for long life.*
 - *Heavy duty steel mounting bracket.*
 - *All clamps fit one mounting bracket. Simply attach proper size clamp when changing cable.*
- * Clamps not recommended for *fixed* end on long trak runs in guide tray. Use bar clamp in this application.

Heavy Duty Cable/hose Tie Bracket



- *Affixes hoses or cables at ends of trak to prevent undue wear or stress.*
- *Dual tie system holds more securely than single ties. Ties not included.*
- *Ideal system when two layers of cables/hoses are used in PowerTrak.*
- *Rugged baked polyester finished steel with zinc plated hardware.*

Consult factory for sizes, model numbers and more details on these and other cable/hose securing brackets.