

# Optional Accessories

## Roller Supports

Roller supports are mounted in a stationary position to increase the total travel capability of PowerTrak. For example, a given PowerTrak size may not handle the total weight of your cables and hoses when self-supported. Adding one or two supports may solve the problem.

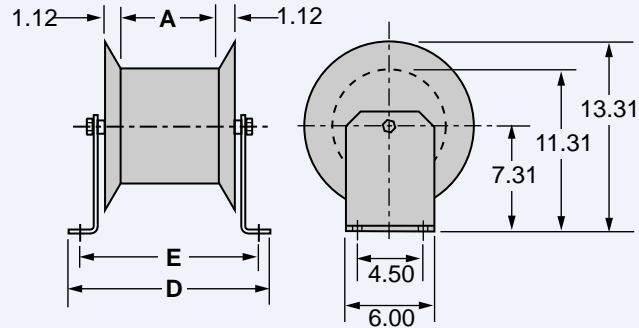
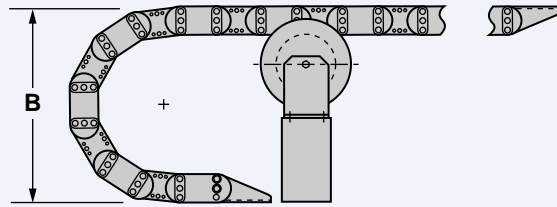
See additional information under “Applying type “E” PowerTrak” in the front of this catalog. Roller supports are not recommended for use with sizes 25E and 28E.

PART NUMBER	CARRIER WIDTH C	A	D	E
090165	4.00	5.63	12.63	11.13
090166	6.00	7.63	14.63	13.13
090167	8.00	9.63	16.63	15.13
090168	10.00	11.63	18.63	17.13
090169	12.00	13.63	20.63	19.13
090170	14.00	15.63	22.63	21.13
090171	16.00	17.63	24.63	23.13
090172	18.00	19.63	26.63	25.13

\* Stand height may be calculated using the formula:

$$B = \text{PowerTrak Height} - \text{see "Dimensional Data" for "B" dimension of different Types and radii.}$$

Link Height may be found in “Dimensional Data” as well.

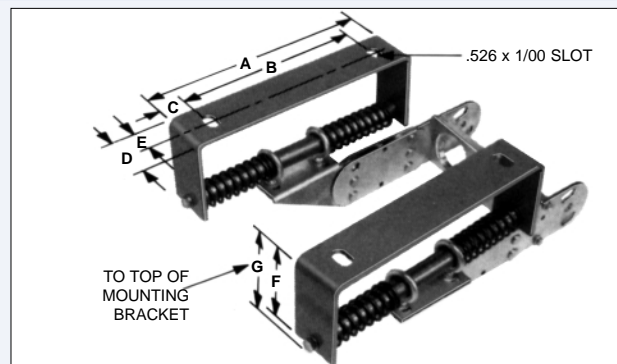


Roller Support shown here for sizes 35E - 48E only. For sizes 55E - 100E, please consult the factory.

## Sliding Mounting Brackets

Sliding mounting brackets assemblies are recommended when PowerTrak is required to handle medium and high pressure hoses. Normally attached to the movable end of the PowerTrak, Sliding Mounting Brackets absorb any shrinkage or expansion of hoses caused by hydraulic surge. Refer to hose manufacturers data for specific information.

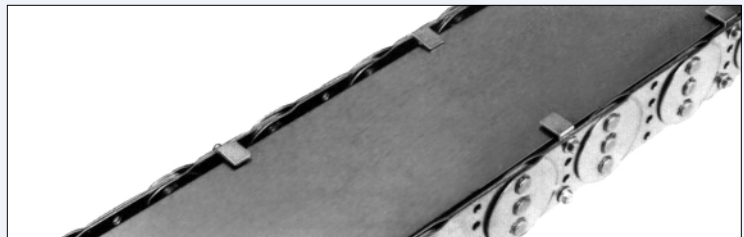
PART NO.	FITS MODELS	A	B	C	D	E	F	G
PL20-10	25E-48E	12.50	7.50	1.50	2.50	1.25	4.50	5.00
014875	55E-100E	16.00	12.00	2.00	2.75	1.38	4.00	4.87



## Chip Covers

Stainless steel chip covers on both sides of the PowerTrak protect cables and hoses against hot chips and mechanical damage.

For use in the standard travel configuration only. Not for use with roller supports or for long travels. Not available for sizes 55E-100E. Please consult factory for recommendations.



# Cable/hose Anchor Clamps

- Affixes hoses or cables at ends of trak to prevent undue wear or stress.\*
- Six sizes, for hose or cable 0.38" to 2.18" O.D.
- Rugged zinc plated steel for long life.
- Heavy duty steel mounting bracket.
- All clamps fit one mounting bracket. Simply attach proper size clamp when changing cable.

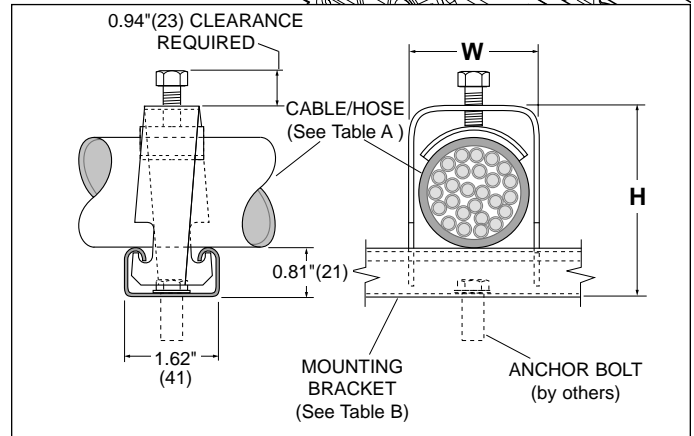
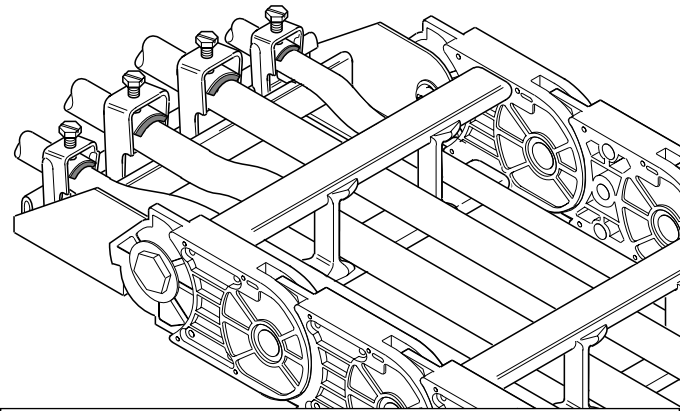
\* Clamps not recommended for fixed end on long trak runs in guide tray. Use bar clamp in this application. Consult factory for details.

CLIP MODEL CHART-TABLE A

CABLE / HOSE O.D. in. (mm)	WIDTH W in. (mm)	HEIGHT H in. (mm)	CLIP PART NUMBER
0.38-0.62 (10-16)	1.1 (28)	2.1 (54)	04095101
0.63-0.88 (16-22)	1.4 (36)	2.3 (59)	04095102
0.89-1.12 (22-28)	1.6 (41)	2.4 (62)	04095103
1.13-1.38 (28-35)	2.1 (53)	2.7 (70)	04095104
1.39-1.75 (35-44)	2.3 (58)	3.0 (77)	04095105
1.76-2.18 (44-55)	2.7 (69)	3.5 (90)	04095106

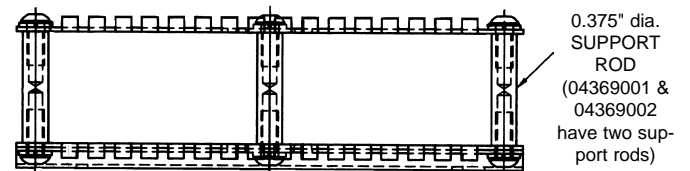
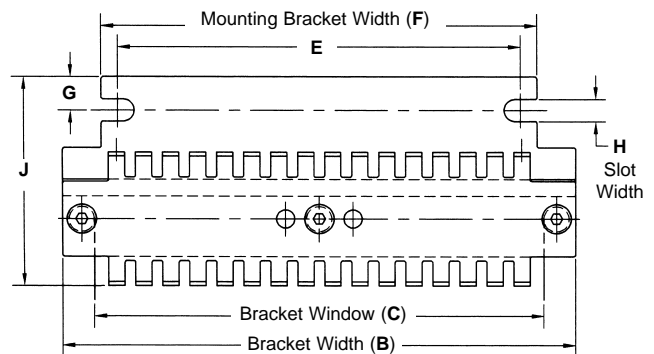
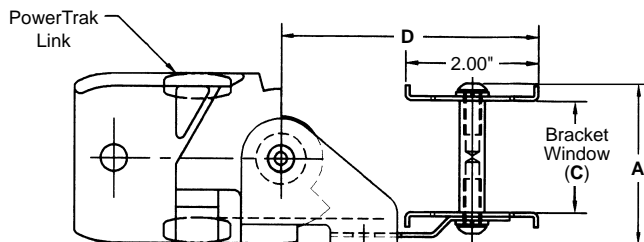
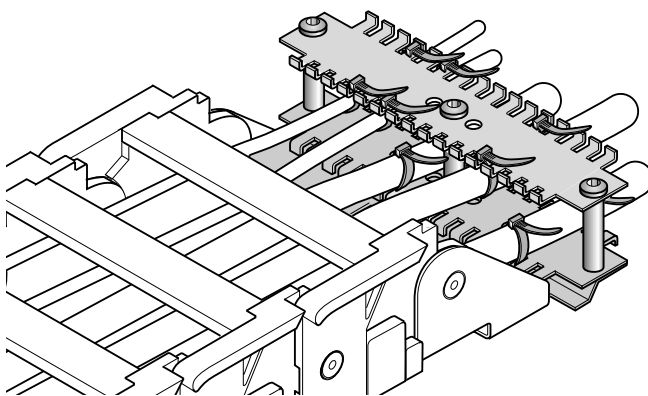
MOUNTING BRACKET MODEL CHART-TABLE B

CARRIER WIDTH in. (mm)	MOUNTING BRACKET PART NO.
4.00 (102)	03946501
6.00 (152)	03946502
8.00 (203)	03946503
10.00 (254)	03946504
12.00 (305)	03946505
14.00 (356)	03946506
16.00 (406)	03946507
18.00 (457)	03946508



# Heavy Duty Cable/hose Tie Bracket

- Affixes hoses or cables at ends of trak to prevent undue wear or stress.
- Dual tie system holds more securely than single ties. Ties not included.
- Rugged baked polyester finished steel with zinc plated hardware.



PART NO	CABLE/HOSE MAX. O.D.	A	B	C Ht. x Wd.	D	E	F	G	H	J
04369005	2.12	3.26	9.60	2.50 x 8.66	7.18	6.84 ± 0.68	7.96	0.88	0.438	3.81
04369004	1.46	2.40	7.20	1.65 x 6.26	6.18	5.08 ± 0.62	6.11	0.63	0.406	3.44
04369003	1.46	2.38	7.60	1.65 x 6.66	3.87	5.96 ± 0.16	6.45	0.50	0.344	3.15
04369002	1.46	2.38	5.20	1.65 x 4.26	3.87	3.62 ± 0.16	4.11	0.50	0.344	3.15
04369001	1.46	2.38	3.60	1.65 x 2.66	3.87	1.96 ± 0.16	2.45	0.50	0.344	3.15

All dimensions in inches.



PT-8