

GLEASON **Beam·Master**™ SERIES **I120-D**

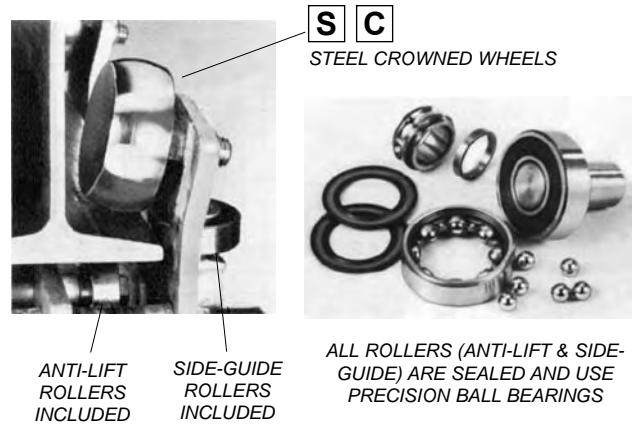
Dual Clamp

- FLAT, ROUND OR MIXED CABLE/HOSE
- CROWNED 2.48" DIA. STEEL WHEELS STANDARD
- ANTI-LIFT ROLLERS STANDARD
- SEALED BALL BEARINGS STANDARD

- MAX SADDLE DIAMETER = 18.12"
- MAX TROLLEY LOAD = 450 lbs.
- TRAVEL SPEEDS TO 500 fpm
- ACCELERATION—Consult us if over 2.0 ft/sec².
- TRAVEL LENGTHS UNLIMITED

Standard Trolley Design

- Crowned 2.48" steel wheels with side guide rollers.
- Anti-lift rollers
- Sealed bearings are pre-lubricated for life
- Tow trolley included as standard
- Zinc plated hardware
- Orange baked polyester powder finish
- Heavy duty bumpers
- Typical mounting on S5 or larger beams (S3 or larger with optional flanged wheels)— contact us for special situations
- Cable clamp allows cable pkg height to vary up to 0.63"



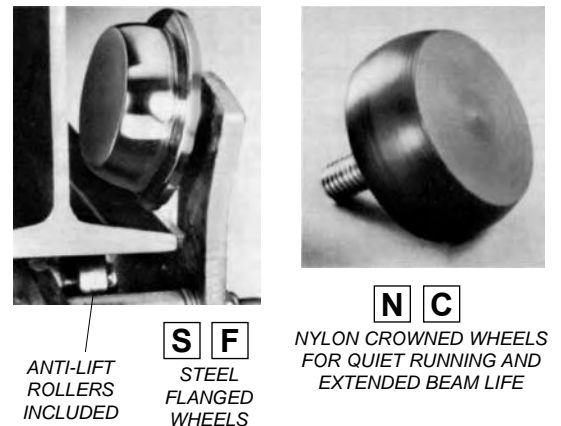
Model Number Explained

For STANDARD DESIGN, specific model numbers are on the following page.

Standard Intermediate Trolley*							Standard	Std. Wheels***	Your Beam								
TYPE	CLAMP STYLE	SADDLE DIAMETER	WINDOW HEIGHT	WINDOW WIDTH	ITEM	FINISH	WHEEL MAT'L	WHEEL STYLE	WHEEL LUBE								
#I120	D	06	-	30	07	I	Z	S	C	P-	<input type="checkbox"/>	<input type="checkbox"/>	<input type="checkbox"/>	x	<input type="checkbox"/>	<input type="checkbox"/>	<input type="checkbox"/>
Chosen by computer			Options you select				ZINC HARDWARE PAINTED TROLLEY	STEEL	CROWNED	PRE-LUB	Minimum Beam Height = 5.0" (3" with optional flanged wheels)						
* Example above is for INTERMEDIATE TROLLEY (I) Use same option changes (at right) for other components as required							Options		Wheel Options								
							S STAIN-LESS	G GALVA-NIZED	N NYLON	F FLANGED	G REGREASE						

Optional Design Features

CODE	OPTION
F	FLANGED (STEEL ONLY) WHEELS WITH ANTI-LIFT ROLLERS
N	CROWNED NYLON WHEELS WITH SIDE GUIDE ROLLERS
G	RE-GREASABLE BEARINGS ON MAIN WHEELS
S	STAINLESS STEEL HARDWARE
<input type="checkbox"/>	OTHER FINISHES AVAILABLE – PLEASE CONTACT US
<input type="checkbox"/>	PRE-ASSEMBLY ON SHIPPING FRAME AVAILABLE



Accessories

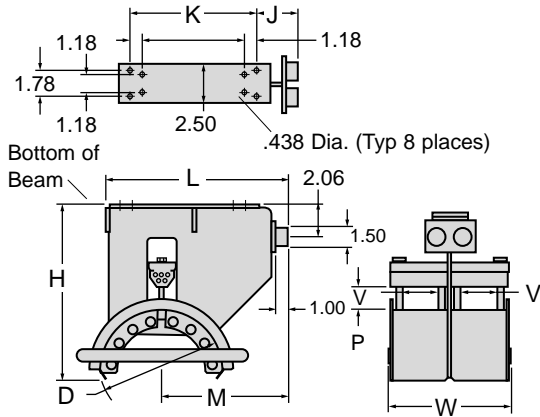
See detail pages at back of catalog

- CABLE CLAMPS
- SHOCK CORDS
- CABLE, ROUND OR FLAT; HOSE
- TERMINAL BOX(ES)
- TY-RAPS
- CABLE GLANDS FOR SINGLE CABLES OR GROUPS
- TOW ROPES
- TERMINAL BLOCKS

Series I120-D Components & Dimensions

For MIXED Cable or Hose

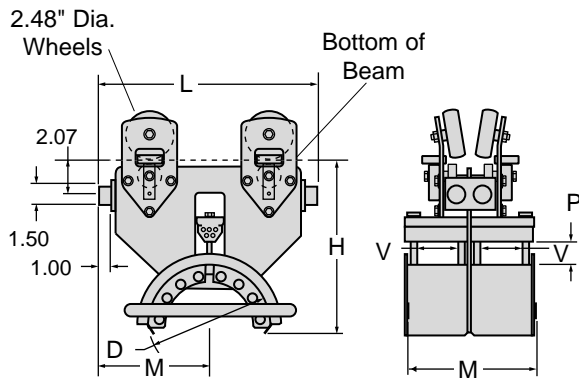
All dimensions in inches unless otherwise specified.



End Clamp *One Required*

Model Number	Saddle Radius R	Saddle Dia. D	Window Height P	Window Width* V	Overall Length L	Overall Width W	Below Beam H	Saddle Locator M	Mtg. Locator J	Bolts K
<i>w/ Std Hardware</i>										
I120-D06-3007E-Z	3.16	6.31	3.00	7.88	10.38	20.44	10.85	6.93	3.63	5.50
I120-D10-1007E-Z	5.13	10.25	1.06	7.88	11.44	20.44	10.85	8.00	3.50	6.69
I120-D10-1012E-Z	5.13	10.25	1.06	12.69	11.44	30.06	10.85	8.00	3.50	6.69
I120-D10-3307E-Z	5.13	10.25	3.38	7.88	12.75	20.44	13.22	9.31	4.81	6.69
I120-D14-1407E-Z	7.06	14.12	1.44	7.88	15.31	20.44	13.22	10.72	3.44	10.63
I120-D14-1412E-Z	7.06	14.12	1.44	12.69	15.31	30.06	13.22	10.72	3.44	10.63
I120-D18-1807E-Z	9.06	18.12	1.81	7.88	18.63	20.44	16.09	13.47	3.19	14.19
I120-D18-1812E-Z	9.06	18.12	1.81	12.69	18.63	30.06	16.09	13.47	3.19	14.19

Fits all beam sizes. * Window width each side.

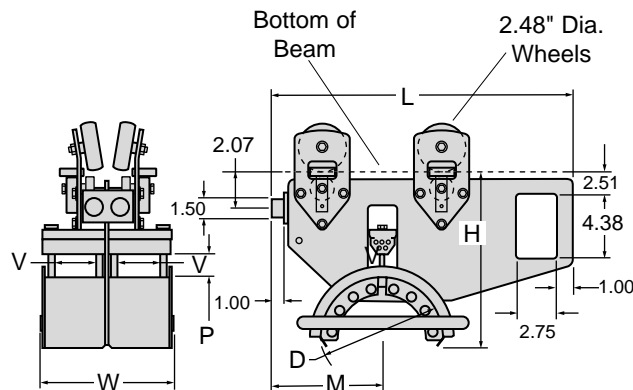


Intermediate Trolley *Quantity as Required*

Model Number	Saddle Radius R	Saddle Dia. D	Window Height P	Window Width* V	Overall Length L	Overall Width W	Below Beam H	Saddle Locator M
<i>w/ Std Hardware & Wheels</i>								
I120-D06-3007L-Z-SCP-®	3.16	6.31	3.00	7.88	13.12	20.44	10.69	6.56
I120-D10-1007L-Z-SCP-®	5.13	10.25	1.06	7.88	13.12	20.44	10.69	6.56
I120-D10-1012L-Z-SCP-®	5.13	10.25	1.06	12.69	13.12	30.06	10.69	6.56
I120-D10-3307L-Z-SCP-®	5.13	10.25	3.38	7.88	17.88	20.44	13.07	8.94
I120-D14-1407L-Z-SCP-®	7.06	14.25	1.44	7.88	17.88	20.44	13.07	8.94
I120-D14-1412L-Z-SCP-®	7.06	14.25	1.44	12.69	17.88	30.06	13.07	8.94
I120-D18-1807L-Z-SCP-®	9.06	18.25	1.81	7.88	22.59	20.44	15.94	11.29
I120-D18-1812L-Z-SCP-®	9.06	18.25	1.81	12.69	22.59	30.06	15.94	11.29

Your beam size must be added to complete model number. See previous pages.

* Window width each side.

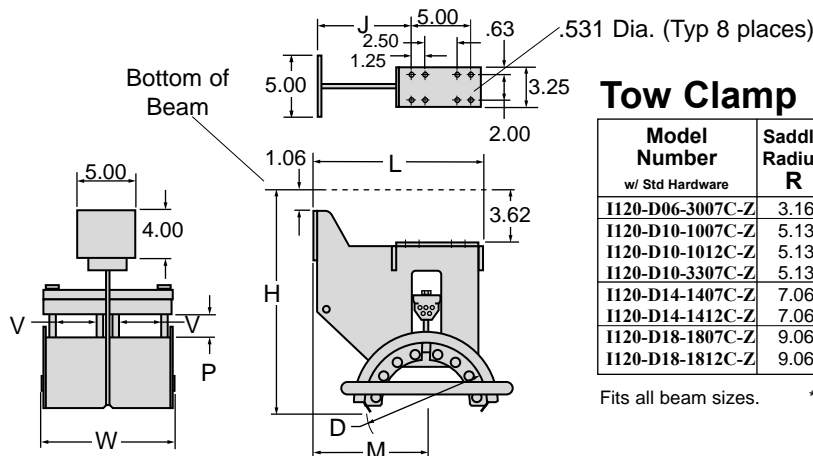


Tow Trolley *Standard...One Required*

Model Number	Saddle Radius R	Saddle Dia. D	Window Height P	Window Width* V	Overall Length L	Overall Width W	Below Beam H	Saddle Locator M
<i>w/ Std Hardware & Wheels</i>								
I120-D06-3007T-Z-SCP-®	3.16	6.31	3.00	7.88	15.31	20.44	10.69	6.97
I120-D10-1007T-Z-SCP-®	5.13	10.25	1.06	7.88	16.75	20.44	10.69	7.59
I120-D10-1012T-Z-SCP-®	5.13	10.25	1.06	12.69	16.75	30.06	10.69	7.59
I120-D10-3307T-Z-SCP-®	5.13	10.25	3.38	7.88	20.19	20.44	13.07	8.94
I120-D14-1407T-Z-SCP-®	7.06	14.12	1.44	7.88	22.19	20.44	13.07	10.31
I120-D14-1412T-Z-SCP-®	7.06	14.12	1.44	12.69	22.19	30.06	13.07	10.31
I120-D18-1807T-Z-SCP-®	9.06	18.12	1.81	7.88	25.50	20.44	15.94	13.09
I120-D18-1812T-Z-SCP-®	9.06	18.12	1.81	12.69	25.50	30.06	15.94	13.09

Your beam size must be added to complete model number. See previous pages.

* Window width each side of frame plate.



Tow Clamp *Optional...Replaces Tow Trolley (one required)*

Model Number	Saddle Radius R	Saddle Dia. D	Window Height P	Window Width* V	Overall Length L	Overall Width W	Below Beam H	Saddle Locator M	Mtg. Locator J
<i>w/ Std Hardware</i>									
I120-D06-3007C-Z	3.16	6.31	3.00	7.88	10.63	20.44	14.25	7.19	4.69
I120-D10-1007C-Z	5.13	10.25	1.06	7.88	10.63	20.44	14.25	7.19	4.69
I120-D10-1012C-Z	5.13	10.25	1.06	12.69	10.63	30.06	14.25	7.19	4.69
I120-D10-3307C-Z	5.13	10.25	3.38	7.88	11.91	20.44	16.44	8.44	5.94
I120-D14-1407C-Z	7.06	14.12	1.44	7.88	14.50	20.44	16.62	9.94	7.44
I120-D14-1412C-Z	7.06	14.12	1.44	12.69	14.50	30.06	16.62	9.94	7.44
I120-D18-1807C-Z	9.06	18.12	1.81	7.88	17.84	20.44	19.50	12.69	10.19
I120-D18-1812C-Z	9.06	18.12	1.81	12.69	17.84	30.06	19.50	12.69	10.19

Fits all beam sizes. * Window width each side of frame plate.