

# GLEASON Beam•Master™

# SERIES I115-M

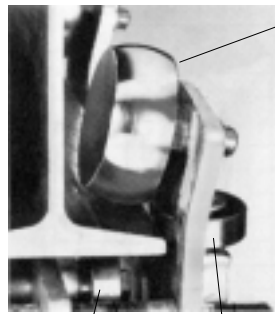
## For MIXED Cable or Hose

- FLAT, ROUND OR MIXED CABLE/HOSE
- CROWNED 2.48" DIA. STEEL WHEELS STANDARD
- ANTI-LIFT & SIDE GUIDE ROLLERS STANDARD
- SEALED BALL BEARINGS STANDARD

- MAX SADDLE DIAMETER = 12.59"
- MAX TROLLEY LOAD = 450 lbs.
- TRAVEL SPEEDS TO 500 fpm
- ACCELERATION—Consult us if over 2.0 ft/sec<sup>2</sup>.
- TRAVEL LENGTHS UNLIMITED

## Standard Trolley Design

- Crowned 2.48" steel wheels with side guide rollers.
- Anti-lift rollers
- Sealed bearings are pre-lubricated for life
- Tow trolley included as standard
- Zinc plated hardware
- Orange baked polyester powder finish
- Heavy duty bumpers
- Typical mounting on S5 or larger beams (S3 or larger with optional flanged wheels)— contact us for special situations
- Cable clamp allows cable pkg height to vary up to 0.63"



ANTI-LIFT ROLLERS INCLUDED  
SIDE-GUIDE ROLLERS INCLUDED

**S C**

STEEL CROWNED WHEELS



ALL MAIN BEARINGS ARE SEALED AND USE PRECISION BALL BEARINGS

## Model Number Explained

For STANDARD DESIGN, specific model numbers are on the following page.

Standard Intermediate Trolley*							Std. Hdwr.	Std. Wheels**	Your Beam**	
TYPE	CLAMP STYLE	SADDLE DIAMETER	WINDOW HEIGHT	WINDOW WIDTH	ITEM	HARDWARE MATERIAL	WHEEL MAT'L	WHEEL STYLE	WHEEL LUBE	
#I115	M	04	- 21	02	I	Z	S	C	P	<input type="text"/> <input type="text"/> <input type="text"/> x <input type="text"/> <input type="text"/> . <input type="text"/>
Chosen by computer						Hdwr Option	Wheel Options			Minimum Beam Height = 5.0" (3" with optional flanged wheels)
Options You select						<b>S</b> STAINLESS	<b>N</b> NYLON	<b>F</b> FLANGED	<b>G</b> REGREASE	**Not applicable to end clamps

\* Example above is for INTERMEDIATE TROLLEY (I) Use same option changes (at right) for other components as required.

## Optional Design Features

CODE	OPTION
<b>F</b>	FLANGED (STEEL ONLY) WHEELS WITH ANTI-LIFT ROLLERS
<b>N</b>	CROWNED NYLON WHEELS WITH STEEL SIDE GUIDE ROLLERS
<b>G</b>	RE-GREASABLE BEARINGS ON MAIN WHEELS
<b>S</b>	STAINLESS STEEL HARDWARE
<input type="checkbox"/>	OTHER FINISHES AVAILABLE – PLEASE CONTACT US
<input type="checkbox"/>	PRE-ASSEMBLY ON SHIPPING FRAME AVAILABLE



ANTI-LIFT ROLLERS INCLUDED

**S F**

STEEL FLANGED WHEELS



**N C**

NYLON CROWNED WHEELS FOR QUIET RUNNING AND EXTENDED BEAM LIFE

## Accessories

See detail pages at back of catalog

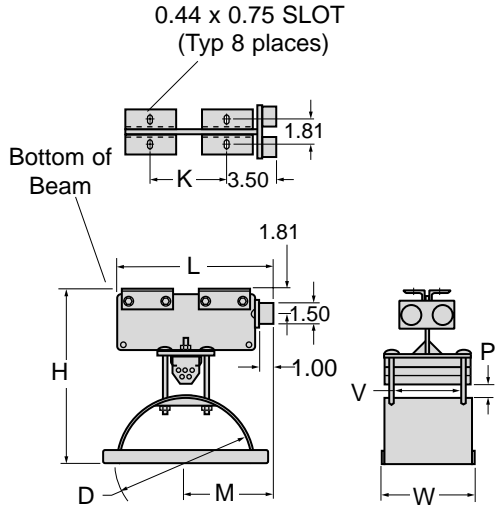
- CABLE CLAMPS
- SHOCK CORDS
- CABLE, ROUND OR FLAT; HOSE
- TERMINAL BOX(ES)
- TY-RAPS
- CABLE GLANDS FOR SINGLE CABLES OR GROUPS
- TOW CHAINS
- TERMINAL BLOCKS

# Series I115-M Components & Dimensions

For MIXED Cable or Hose

All dimensions in inches unless otherwise specified.

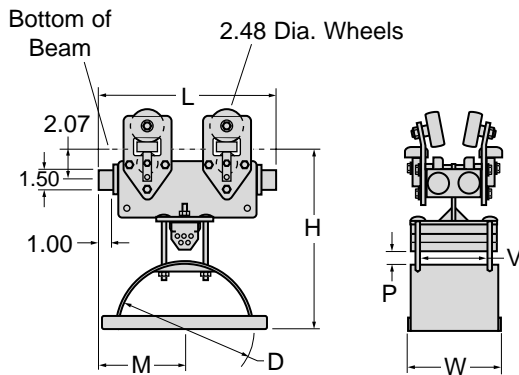
## End Clamp *One Required*



Model Number w/ Std Hardware	Saddle Radius R	Saddle Dia. D	Window Height P	Window Width V	Overall Length L	Overall Width W	Below Beam H	Saddle Locator M	Bolts K
I115-M04-2102E-Z	2.47	4.94	2.12	2.62	11.62	4.31	11.34	6.31	5.62
I115-M04-2105E-Z	2.47	4.94	2.12	5.00	11.62	6.69	11.34	6.31	5.62
I115-M04-2106E-Z	2.47	4.94	2.12	6.56	11.62	8.25	11.34	6.31	5.62
I115-M06-1402E-Z	3.16	6.31	1.44	2.62	11.62	4.31	12.66	6.31	5.62
I115-M06-1405E-Z	3.16	6.31	1.44	5.00	11.62	6.69	12.66	6.31	5.62
I115-M06-1406E-Z	3.16	6.31	1.44	6.56	11.62	8.25	12.66	6.31	5.62
I115-M06-2702E-Z	3.16	6.31	2.75	2.62	11.62	4.31	12.66	6.31	5.62
I115-M06-2705E-Z	3.16	6.31	2.75	5.00	11.62	6.69	12.66	6.31	5.62
I115-M06-2706E-Z	3.16	6.31	2.75	6.56	11.62	8.25	12.66	6.31	5.62
I115-M07-1905E-Z	3.94	7.88	1.97	5.00	11.62	6.69	12.66	6.31	5.62
I115-M07-1906E-Z	3.94	7.88	1.97	6.56	11.62	8.25	12.66	6.31	5.62
I115-M07-1908E-Z	3.94	7.88	1.97	8.56	11.62	10.25	12.66	6.31	5.62
I115-M07-3505E-Z	3.94	7.88	3.53	5.00	14.75	6.69	14.22	7.88	8.75
I115-M07-3506E-Z	3.94	7.88	3.53	6.56	14.75	8.25	14.22	7.88	8.75
I115-M07-3508E-Z	3.94	7.88	3.53	8.56	14.75	10.25	14.22	7.88	8.75
I115-M09-1005E-Z	4.94	9.88	1.00	5.00	11.62	6.69	12.69	6.31	5.62
I115-M09-1006E-Z	4.94	9.88	1.00	6.56	11.62	8.25	12.69	6.31	5.62
I115-M09-1008E-Z	4.94	9.88	1.00	8.56	11.62	10.25	12.69	6.31	5.62
I115-M09-2505E-Z	4.94	9.88	2.56	5.00	14.75	6.69	14.26	7.88	8.75
I115-M09-2506E-Z	4.94	9.88	2.56	6.56	14.75	8.25	14.26	7.88	8.75
I115-M09-2508E-Z	4.94	9.88	2.56	8.56	14.75	10.25	14.26	7.88	8.75
I115-M12-1105E-Z	6.30	12.59	1.18	5.00	14.75	6.69	14.26	7.88	8.75
I115-M12-1106E-Z	6.30	12.59	1.18	6.56	14.75	8.25	14.26	7.88	8.75
I115-M12-1108E-Z	6.30	12.59	1.18	8.56	14.75	10.25	14.26	7.88	8.75
I115-M12-3105E-Z	6.30	12.59	3.15	5.00	18.69	6.69	16.19	9.84	12.69
I115-M12-3106E-Z	6.30	12.59	3.15	6.56	18.69	8.25	16.19	9.84	12.69
I115-M12-3108E-Z	6.30	12.59	3.15	8.56	18.69	10.25	16.19	9.84	12.69

Fits all beam sizes.

## Intermediate Trolley *Quantity as Required*



Model Number w/ Std Hardware & Wheels	Saddle Radius R	Saddle Dia. D	Window Height P	Window Width V	Overall Length L	Overall Width W	Below Beam H	Saddle Locator M
I115-M04-2102I-Z-SCP-□	2.47	4.94	2.12	2.62	10.06	4.31	11.60	5.03
I115-M04-2105I-Z-SCP-□	2.47	4.94	2.12	5.00	10.06	6.69	11.60	5.03
I115-M04-2106I-Z-SCP-□	2.47	4.94	2.12	6.56	10.06	8.25	11.60	5.03
I115-M06-1402I-Z-SCP-□	3.16	6.31	1.44	2.62	10.06	4.31	11.60	5.03
I115-M06-1405I-Z-SCP-□	3.16	6.31	1.44	5.00	10.06	6.69	11.60	5.03
I115-M06-1406I-Z-SCP-□	3.16	6.31	1.44	6.56	10.06	8.25	11.60	5.03
I115-M06-2702I-Z-SCP-□	3.16	6.31	2.75	2.62	12.62	4.31	12.91	6.31
I115-M06-2705I-Z-SCP-□	3.16	6.31	2.75	5.00	12.62	6.69	12.91	6.31
I115-M06-2706I-Z-SCP-□	3.16	6.31	2.75	6.56	12.62	8.25	12.91	6.31
I115-M07-1905I-Z-SCP-□	3.94	7.88	1.97	5.00	12.62	6.69	12.91	6.31
I115-M07-1906I-Z-SCP-□	3.94	7.88	1.97	6.56	12.62	8.25	12.91	6.31
I115-M07-1908I-Z-SCP-□	3.94	7.88	1.97	8.56	12.62	10.25	12.91	6.31
I115-M07-3505I-Z-SCP-□	3.94	7.88	3.53	5.00	15.75	6.69	14.47	7.88
I115-M07-3506I-Z-SCP-□	3.94	7.88	3.53	6.56	15.75	8.25	14.47	7.88
I115-M07-3508I-Z-SCP-□	3.94	7.88	3.53	8.56	15.75	10.25	14.47	7.88
I115-M09-1005I-Z-SCP-□	4.94	9.88	1.00	5.00	12.62	6.69	12.94	6.31
I115-M09-1006I-Z-SCP-□	4.94	9.88	1.00	6.56	12.62	8.25	12.94	6.31
I115-M09-1008I-Z-SCP-□	4.94	9.88	1.00	8.56	12.62	10.25	12.94	6.31
I115-M09-2505I-Z-SCP-□	4.94	9.88	2.56	5.00	15.75	6.69	14.51	7.88
I115-M09-2506I-Z-SCP-□	4.94	9.88	2.56	6.56	15.75	8.25	14.51	7.88
I115-M09-2508I-Z-SCP-□	4.94	9.88	2.56	8.56	15.75	10.25	14.51	7.88
I115-M12-1105I-Z-SCP-□	6.30	12.59	1.18	5.00	15.75	6.69	14.51	7.88
I115-M12-1106I-Z-SCP-□	6.30	12.59	1.18	6.56	15.75	8.25	14.51	7.88
I115-M12-1108I-Z-SCP-□	6.30	12.59	1.18	8.56	15.75	10.25	14.51	7.88
I115-M12-3105I-Z-SCP-□	6.30	12.59	3.15	5.00	19.69	6.69	16.45	9.84
I115-M12-3106I-Z-SCP-□	6.30	12.59	3.15	6.56	19.69	8.25	16.45	9.84
I115-M12-3108I-Z-SCP-□	6.30	12.59	3.15	8.56	19.69	10.25	16.45	9.84

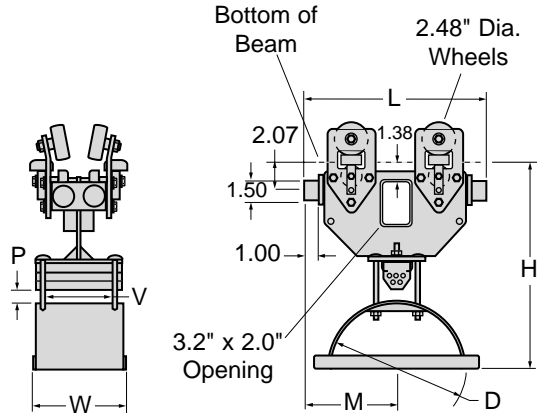
Your beam size must be added to complete model number. See previous pages.

# Series I115-M Components & Dimensions, con't.

For MIXED Cable or Hose

All dimensions in inches unless otherwise specified.

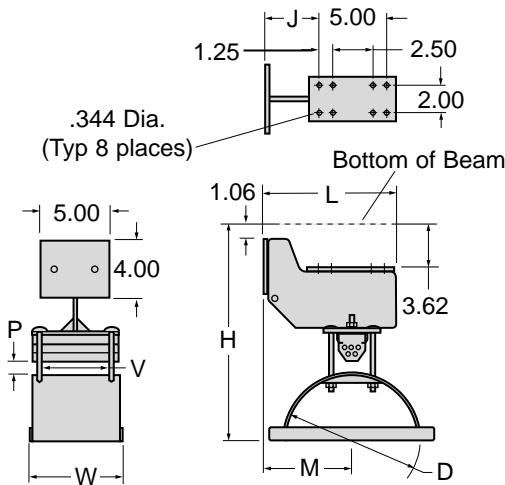
## Tow Trolley *Standard...One Required*



Model Number w/ Std Hardware & Wheels	Saddle Radius R	Saddle Dia. D	Window Height P	Window Width V	Overall Length L	Overall Width W	Below Beam H	Saddle Locator M
I115-M04-2102T-Z-SCP-□	2.47	4.94	2.12	2.62	12.62	4.31	13.60	6.31
I115-M04-2105T-Z-SCP-□	2.47	4.94	2.12	5.00	12.62	6.69	13.60	6.31
I115-M04-2106T-Z-SCP-□	2.47	4.94	2.12	6.56	12.62	8.25	13.60	6.31
I115-M06-1402T-Z-SCP-□	3.16	6.31	1.44	2.62	12.62	4.31	13.60	6.31
I115-M06-1405T-Z-SCP-□	3.16	6.31	1.44	5.00	12.62	6.69	13.60	6.31
I115-M06-1406T-Z-SCP-□	3.16	6.31	1.44	6.56	12.62	8.25	13.60	6.31
I115-M06-2702T-Z-SCP-□	3.16	6.31	2.75	2.62	12.62	4.31	14.91	6.31
I115-M06-2705T-Z-SCP-□	3.16	6.31	2.75	5.00	12.62	6.69	14.91	6.31
I115-M06-2706T-Z-SCP-□	3.16	6.31	2.75	6.56	12.62	8.25	14.91	6.31
I115-M07-1905T-Z-SCP-□	3.94	7.88	1.97	5.00	12.62	6.69	14.91	6.31
I115-M07-1906T-Z-SCP-□	3.94	7.88	1.97	6.56	12.62	8.25	14.91	6.31
I115-M07-1908T-Z-SCP-□	3.94	7.88	1.97	8.56	12.62	10.25	14.91	6.31
I115-M07-3505T-Z-SCP-□	3.94	7.88	3.53	5.00	15.75	6.69	16.47	7.88
I115-M07-3506T-Z-SCP-□	3.94	7.88	3.53	6.56	15.75	8.25	16.47	7.88
I115-M07-3508T-Z-SCP-□	3.94	7.88	3.53	8.56	15.75	10.25	16.47	7.88
I115-M09-1005T-Z-SCP-□	4.94	9.88	1.00	5.00	12.62	6.69	14.94	6.31
I115-M09-1006T-Z-SCP-□	4.94	9.88	1.00	6.56	12.62	8.25	14.94	6.31
I115-M09-1008T-Z-SCP-□	4.94	9.88	1.00	8.56	12.62	10.25	14.94	6.31
I115-M09-2505T-Z-SCP-□	4.94	9.88	2.56	5.00	15.75	6.69	16.51	7.88
I115-M09-2506T-Z-SCP-□	4.94	9.88	2.56	6.56	15.75	8.25	16.51	7.88
I115-M09-2508T-Z-SCP-□	4.94	9.88	2.56	8.56	15.75	10.25	16.51	7.88
I115-M12-1105T-Z-SCP-□	6.30	12.59	1.18	5.00	15.75	6.69	16.51	7.88
I115-M12-1106T-Z-SCP-□	6.30	12.59	1.18	6.56	15.75	8.25	16.51	7.88
I115-M12-1108T-Z-SCP-□	6.30	12.59	1.18	8.56	15.75	10.25	16.51	7.88
I115-M12-3105T-Z-SCP-□	6.30	12.59	3.15	5.00	19.69	6.69	18.45	9.84
I115-M12-3106T-Z-SCP-□	6.30	12.59	3.15	6.56	19.69	8.25	18.45	9.84
I115-M12-3108T-Z-SCP-□	6.30	12.59	3.15	8.56	19.69	10.25	18.45	9.84

Your beam size must be added to complete model number.  
See previous pages.

## Tow Clamp *Optional...Replaces Tow Trolley (one required)*



Model Number w/ Std Hardware	Saddle Radius R	Saddle Dia. D	Window Height P	Window Width V	Overall Length L	Overall Width W	Below Beam H	Saddle Locator M	Mtg. Locator J
I115-M04-2102C-Z	2.47	4.94	2.12	2.62	9.28	4.31	15.09	5.91	3.41
I115-M04-2105C-Z	2.47	4.94	2.12	5.00	9.28	6.69	15.09	5.91	3.41
I115-M04-2106C-Z	2.47	4.94	2.12	6.56	9.28	8.25	15.09	5.91	3.41
I115-M06-1402C-Z	3.16	6.31	1.44	2.62	9.28	4.31	16.40	5.91	3.41
I115-M06-1405C-Z	3.16	6.31	1.44	5.00	9.28	6.69	16.40	5.91	3.41
I115-M06-1406C-Z	3.16	6.31	1.44	6.56	9.28	8.25	16.40	5.91	3.41
I115-M06-2702C-Z	3.16	6.31	2.75	2.62	9.28	4.31	16.40	5.91	3.41
I115-M06-2705C-Z	3.16	6.31	2.75	5.00	9.28	6.69	16.40	5.91	3.41
I115-M06-2706C-Z	3.16	6.31	2.75	6.56	9.28	8.25	16.40	5.91	3.41
I115-M07-1905C-Z	3.94	7.88	1.97	5.00	9.28	6.69	16.40	5.91	3.41
I115-M07-1906C-Z	3.94	7.88	1.97	6.56	9.28	8.25	16.40	5.91	3.41
I115-M07-1908C-Z	3.94	7.88	1.97	8.56	9.28	10.25	16.40	5.91	3.41
I115-M07-3505C-Z	3.94	7.88	3.53	5.00	12.81	6.69	17.97	9.44	6.94
I115-M07-3506C-Z	3.94	7.88	3.53	6.56	12.81	8.25	17.97	9.44	6.94
I115-M07-3508C-Z	3.94	7.88	3.53	8.56	12.81	10.25	17.97	9.44	6.94
I115-M09-1005C-Z	4.94	9.88	1.00	5.00	9.28	6.69	16.44	5.91	3.41
I115-M09-1006C-Z	4.94	9.88	1.00	6.56	9.28	8.25	16.44	5.91	3.41
I115-M09-1008C-Z	4.94	9.88	1.00	8.56	9.28	10.25	16.44	5.91	3.41
I115-M09-2505C-Z	4.94	9.88	2.56	5.00	12.81	6.69	18.00	9.44	6.94
I115-M09-2506C-Z	4.94	9.88	2.56	6.56	12.81	8.25	18.00	9.44	6.94
I115-M09-2508C-Z	4.94	9.88	2.56	8.56	12.81	10.25	18.00	9.44	6.94
I115-M12-1105C-Z	6.30	12.59	1.18	5.00	12.81	6.69	19.94	9.44	6.94
I115-M12-1106C-Z	6.30	12.59	1.18	6.56	12.81	8.25	19.94	9.44	6.94
I115-M12-1108C-Z	6.30	12.59	1.18	8.56	12.81	10.25	19.94	9.44	6.94
I115-M12-3105C-Z	6.30	12.59	3.15	5.00	12.81	6.69	19.94	9.44	6.94
I115-M12-3106C-Z	6.30	12.59	3.15	6.56	12.81	8.25	19.94	9.44	6.94
I115-M12-3108C-Z	6.30	12.59	3.15	8.56	12.81	10.25	19.94	9.44	6.94

Fits all beam sizes.