

GLEASON Beam•Master™

SERIES I110-c

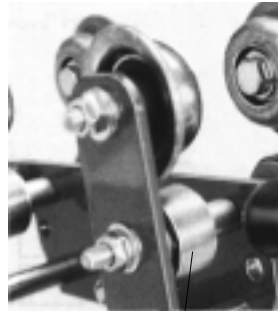
For ROUND Cable or Hose

- SINGLE, DOUBLE, OR TRIPLE TIER CLIP DESIGN
- FLANGED 1.60" DIA. STEEL WHEELS STANDARD
- ANTI-LIFT ROLLERS STANDARD
- SEALED BALL BEARINGS STANDARD

- MAX CABLE/HOSE O.D. = 2.38"
- MAX TROLLEY LOAD = 150 lbs.
- TRAVEL SPEEDS TO 350 fpm
- ACCELERATION—Consult us if over 2.0 ft/sec².
- TRAVEL LENGTHS UNLIMITED

Standard Trolley Design

- Flanged 1.61" dia. steel wheels
- Anti-lift rollers
- Sealed bearings are pre-lubricated for life
- Tow trolley included as standard
- Zinc plated hardware
- Orange baked polyester powder finish
- Heavy duty bumpers
- Typical mounting on S3 or larger beams – contact us for special situations
- Cable/hose clips are adjustable †



ANTI-LIFT ROLLERS INCLUDED

S

STEEL FLANGED WHEELS



ALL MAIN BEARINGS ARE SEALED AND USE PRECISION BALL BEARINGS

Model Number Explained

For STANDARD DESIGN, specific model numbers are on the following page.

TYPE	Standard Intermediate Trolley* CLAMP STYLE	NO. OF TIERS (CLIPS)	CLIP O.D. CODE †	ITEM	Std. Hdw. HARDWARE MATERIAL	Std. Wheels** WHEEL MATERIAL	Your Beam
#I110	C	1	1	I	Z ZINC PLATED	S STEEL	<input type="text"/> <input type="text"/> <input type="text"/> x <input type="text"/> <input type="text"/> <input type="text"/> . <input type="text"/> <input type="text"/>
Chosen by computer					Option you select		Minimum Beam Height = 3"
† CLIP O.D. CODES: 1 = 0.31-0.59 IN.; 2 = 0.60-0.94 IN.; 3 = 0.95-1.25 IN.					<input type="checkbox"/> S STAINLESS <input type="checkbox"/> B BRONZE <input type="checkbox"/> N NYLON		**Not applicable to end clamps

Option Design Features

CODE	OPTION
<input checked="" type="checkbox"/> N	FLANGED NYLON MAIN WHEELS WITH STEEL ANTI-LIFT ROLLERS
<input checked="" type="checkbox"/> B	BRONZE MAIN WHEELS WITH BRONZE ANTI-LIFT WHEELS
<input checked="" type="checkbox"/> S	STAINLESS STEEL HARDWARE
<input type="checkbox"/>	OTHER FINISHES AVAILABLE – PLEASE CONTACT US
<input type="checkbox"/>	PRE-ASSEMBLY ON SHIPPING FRAME AVAILABLE



B

BRONZE FLANGED WHEELS



N

NYLON FLANGED WHEELS

BRONZE ANTI-LIFT ROLLERS STEEL ANTI-LIFT ROLLERS

Accessories

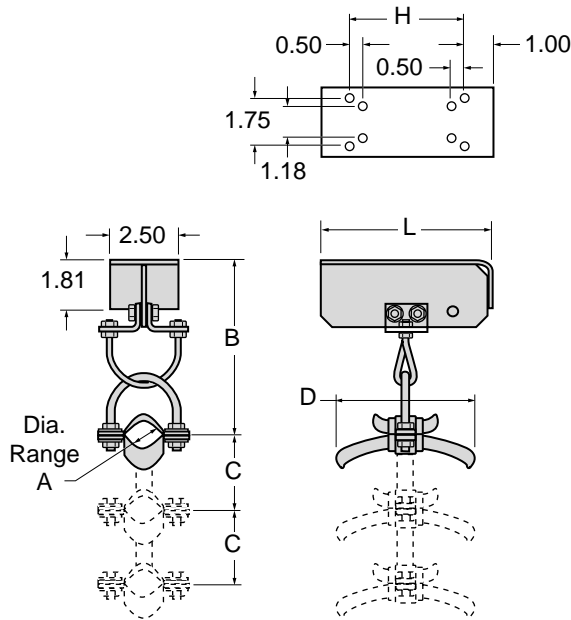
See detail pages at back of catalog

- CABLE CLAMPS
- TY-RAPS
- TOW CHAINS
- CABLE, ROUND OR FLAT; HOSE
- CABLE GLANDS FOR SINGLE CABLES OR GROUPS
- TERMINAL BOX(ES)
- TERMINAL BLOCKS

Series I110-c Components & Dimensions

For ROUND Cable or Hose

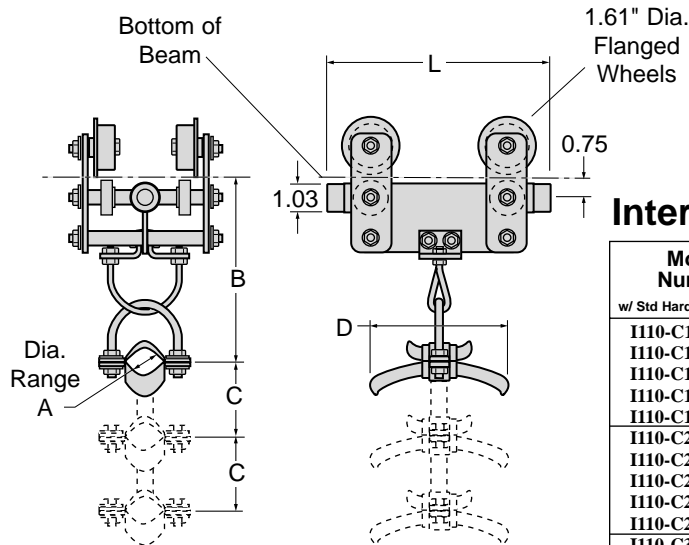
All dimensions in inches unless otherwise specified.



End Clip *One Required*

Model Number w/ Std Hardware	No. Tiers	Cable/Hose O.D. Range A	B	Cable Centers C	Clip Length D	Trolley Length L	Bolts H
I110-C11E-Z-S	1	0.31 - 0.59	3.82	—	2.75	6.16	4.94
I110-C12E-Z-S	1	0.60 - 0.94	3.94	—	3.86	6.16	4.94
I110-C13E-Z-S	1	0.95 - 1.25	7.19	—	5.59	6.16	4.94
I110-C14E-Z-S	1	1.26 - 1.69	7.94	—	6.89	10.56	8.56
I110-C15E-Z-S	1	1.70 - 2.38	8.44	—	9.65	10.56	8.56
I110-C21E-Z-S	2	0.31 - 0.59	3.82	1.31	2.75	6.16	4.94
I110-C22E-Z-S	2	0.60 - 0.94	3.94	1.88	3.86	6.16	4.94
I110-C23E-Z-S	2	0.95 - 1.25	7.19	3.06	5.59	6.16	4.94
I110-C24E-Z-S	2	1.26 - 1.69	7.94	3.62	6.89	10.56	8.56
I110-C25E-Z-S	2	1.70 - 2.38	8.44	4.25	9.65	10.56	8.56
I110-C31E-Z-S	3	0.31 - 0.59	3.82	1.31	2.75	6.16	4.94
I110-C32E-Z-S	3	0.60 - 0.94	3.94	1.88	3.86	6.16	4.94
I110-C33E-Z-S	3	0.95 - 1.25	7.19	3.06	5.59	6.16	4.94
I110-C34E-Z-S	3	1.26 - 1.69	7.94	3.62	6.89	10.56	8.56
I110-C35E-Z-S	3	1.70 - 2.38	8.44	4.25	9.65	10.56	8.56

Fits all beam sizes.



Intermediate Trolley *Quantity as Required*

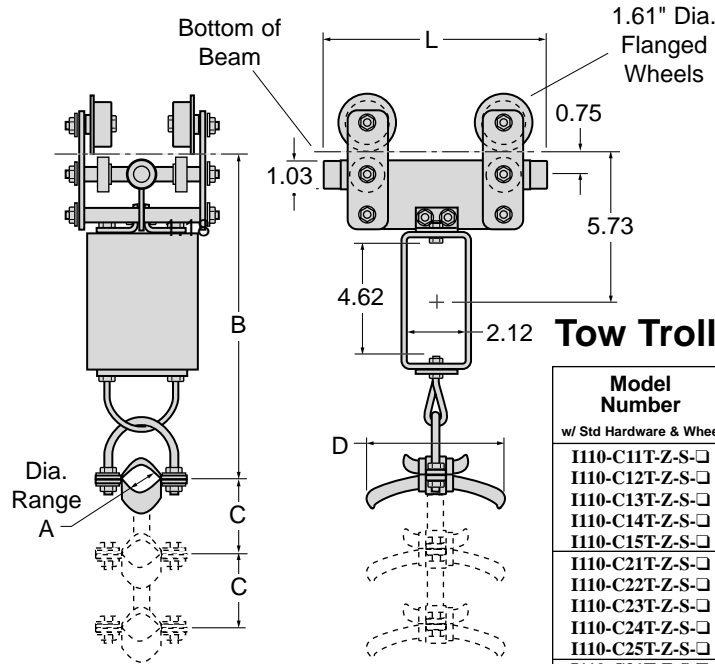
Model Number w/ Std Hardware & Wheels	No. Tiers	Cable/Hose O.D. Range A	B	Cable Centers C	Clip Length D	Trolley Length L
I110-C11I-Z-S-□	1	0.31 - 0.59	4.25	—	2.75	6.31
I110-C12I-Z-S-□	1	0.60 - 0.94	4.38	—	3.86	6.31
I110-C13I-Z-S-□	1	0.95 - 1.25	7.19	—	5.59	6.31
I110-C14I-Z-S-□	1	1.26 - 1.69	7.94	—	6.89	6.31
I110-C15I-Z-S-□	1	1.70 - 2.38	8.44	—	9.65	6.31
I110-C21I-Z-S-□	2	0.31 - 0.59	4.25	1.31	2.75	6.31
I110-C22I-Z-S-□	2	0.60 - 0.94	4.38	1.88	3.86	6.31
I110-C23I-Z-S-□	2	0.95 - 1.25	7.19	3.06	5.59	6.31
I110-C24I-Z-S-□	2	1.26 - 1.69	7.94	3.62	6.89	6.31
I110-C25I-Z-S-□	2	1.70 - 2.38	8.44	4.25	9.65	6.31
I110-C31I-Z-S-□	3	0.31 - 0.59	4.25	1.31	2.75	6.31
I110-C32I-Z-S-□	3	0.60 - 0.94	4.38	1.88	3.86	6.31
I110-C33I-Z-S-□	3	0.95 - 1.25	7.19	3.06	5.59	6.31
I110-C34I-Z-S-□	3	1.26 - 1.69	7.94	3.62	6.89	6.31
I110-C35I-Z-S-□	3	1.70 - 2.38	8.44	4.25	9.65	6.31

Your beam size must be added to complete model number.
See previous pages.

Series I110-c Components & Dimensions, con't.

For ROUND Cable or Hose

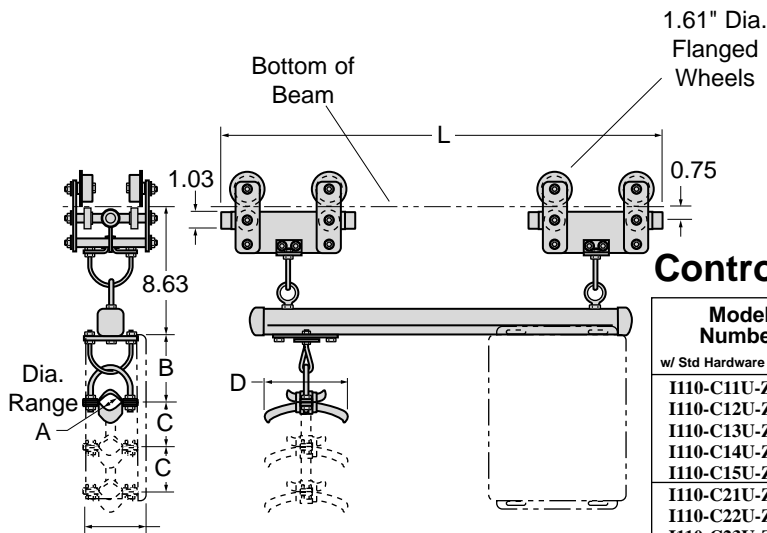
All dimensions in inches unless otherwise specified.



Tow Trolley *Standard...One Required*

Model Number	No. Tiers	Cable/Hose O.D. Range	B	Cable Centers C	Clip Length D	Trolley Length L
<i>w/ Std Hardware & Wheels</i>						
I110-C11T-Z-S-□	1	0.31 - 0.59	9.32	-	2.75	7.88
I110-C12T-Z-S-□	1	0.60 - 0.94	9.44	-	3.86	7.88
I110-C13T-Z-S-□	1	0.95 - 1.25	12.69	-	5.59	7.88
I110-C14T-Z-S-□	1	1.26 - 1.69	13.44	-	6.89	7.88
I110-C15T-Z-S-□	1	1.70 - 2.38	13.94	-	9.65	7.88
I110-C21T-Z-S-□	2	0.31 - 0.59	9.32	1.31	2.75	7.88
I110-C22T-Z-S-□	2	0.60 - 0.94	9.44	1.88	3.86	7.88
I110-C23T-Z-S-□	2	0.95 - 1.25	12.69	3.06	5.59	7.88
I110-C24T-Z-S-□	2	1.26 - 1.69	13.44	3.62	6.89	7.88
I110-C25T-Z-S-□	2	1.70 - 2.38	13.94	4.25	9.65	7.88
I110-C31T-Z-S-□	3	0.31 - 0.59	9.32	1.31	2.75	7.88
I110-C32T-Z-S-□	3	0.60 - 0.94	9.44	1.88	3.86	7.88
I110-C33T-Z-S-□	3	0.95 - 1.25	12.69	3.06	5.59	7.88
I110-C34T-Z-S-□	3	1.26 - 1.69	13.44	3.62	6.89	7.88
I110-C35T-Z-S-□	3	1.70 - 2.38	13.94	4.25	9.65	7.88

Your beam size must be added to complete model number. See previous pages.



Control Unit Trolley *Optional Quantity as Required*

Model Number	No. Tiers	Cable/Hose O.D. Range	B	Cable Centers C	Clip Length D	Trolley Length L	Overall Width W
<i>w/ Std Hardware & Wheels</i>							
I110-C11U-Z-S-□	1	0.31 - 0.59	1.12	-	2.75	33.50	6.00
I110-C12U-Z-S-□	1	0.60 - 0.94	1.25	-	3.86	33.50	6.00
I110-C13U-Z-S-□	1	0.95 - 1.25	3.99	-	5.59	33.50	6.00
I110-C14U-Z-S-□	1	1.26 - 1.69	4.25	-	6.89	33.50	6.00
I110-C15U-Z-S-□	1	1.70 - 2.38	4.88	-	9.65	33.50	6.00
I110-C21U-Z-S-□	2	0.31 - 0.59	1.12	1.31	2.75	33.50	6.00
I110-C22U-Z-S-□	2	0.60 - 0.94	1.25	1.88	3.86	33.50	6.00
I110-C23U-Z-S-□	2	0.95 - 1.25	3.99	3.06	5.59	33.50	6.00
I110-C24U-Z-S-□	2	1.26 - 1.69	4.25	3.62	6.89	33.50	6.00
I110-C25U-Z-S-□	2	1.70 - 2.38	4.88	4.25	9.65	33.50	6.00
I110-C31U-Z-S-□	3	0.31 - 0.59	1.12	1.31	2.75	33.50	6.00
I110-C32U-Z-S-□	3	0.60 - 0.94	1.25	1.88	3.86	33.50	6.00
I110-C33U-Z-S-□	3	0.95 - 1.25	3.99	3.06	5.59	33.50	6.00
I110-C34U-Z-S-□	3	1.26 - 1.69	4.25	3.62	6.89	33.50	6.00
I110-C35U-Z-S-□	3	1.70 - 2.38	4.88	4.25	9.65	33.50	6.00

Your beam size must be added to complete model number. See previous pages.

Note: Rail Mounted Junction Boxes are available. See "Accessories" section at back of catalog.