

# GLEASON® - JGHL & JGHX SERIES CONDUCTOR BAR SYSTEMS

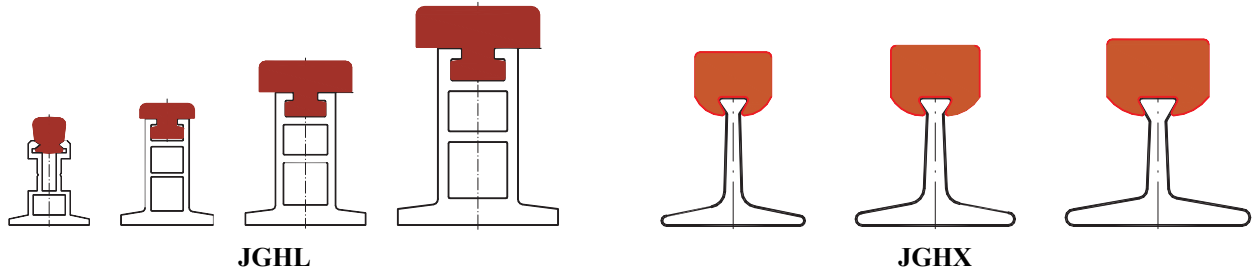
## FEATURES:

- EASY FIELD ASSEMBLY AND ADJUSTMENT
- HIGH STRENGTH COPPER HEAD
- LOW RESISTANCE AND VOLTAGE DROP
- HORIZONTAL OR VERTICAL MOUNTING
- RELIABLE OPERATION AND PROTECTION IN HIGH TEMPERATURE, DUST AND CORROSIVE ATMOSPHERE
- HIGH MECHANICAL STRENGTH

## APPLICATIONS:

- STEEL MILLS
- SHIPBUILDING
- INDUSTRIAL PLANTS
- POWER PLANTS
- WAREHOUSES



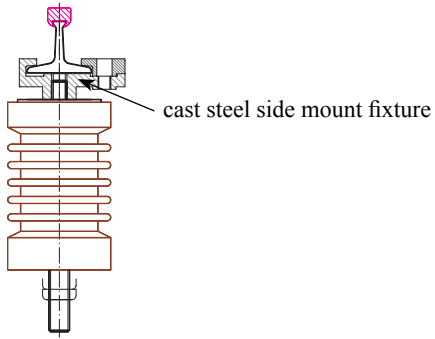


MODEL NUMBER	CROSS SECTIONAL AREA (mm <sup>2</sup> )	FULL CURRENT 100% CAPACITY	CURRENT 40% CAPACITY	WEIGHT KG/6M	WEIGHT LBS/FT.	DIMENSIONS / BASE ONLY
JGHL-170	170	305	550	27.8	18.6	40 x 36 (1.57 x 1.42)
JGHL-240	240	430	770	44.7	30.0	46 x 53 (1.81 x 2.08)
JGHL-320	320	550	1050	48.3	32.4	46 x 53 (1.81 x 2.08)
JGHL-480	480	860	1550	61.5	41.3	46 x 53 (1.81 x 2.08)
JGHL-640	640	1150	2050	67.3	45.1	46 x 53 (1.81 x 2.08)
JGHL-800	800	1440	2550	75.5	50.6	60 x 66 (2.36 x 2.6)
JGHL-1000	1000	1800	3100	84.3	56.5	60 x 66 (2.36 x 2.6)
JGHL-1500	1500	2700	4650	95.7	64.2	60 x 66 (2.36 x 2.6)
JGHL-1800	1800	3200	5450	115.7	77.6	80 x 88 (3.15 x 3.46)
JGHX-150	150	250	450	28.41	19.1	35 x 30 (1.38 x 1.18)
JGHX-200	200	350	600	34.68	23.3	45 x 40 (1.77 x 1.57)
JGHX-300	300	500	900	40.02	26.8	45 x 40 (1.77 x 1.57)
JGHX-400	400	700	1200	45.36	30.4	45 x 40 (1.77 x 1.57)
JGHX-500	500	900	1500	50.7	34.0	50 x 40 (1.97 x 1.57)
JGHX-600	600	1050	1800	56.04	37.6	50 x 40 (1.97 x 1.57)
JGHX-700	700	1250	2100	65.3	43.8	58 x 40 (2.28 x 1.57)
JGHX-800	800	1400	2400	78.6	52.7	58 x 40 (2.28 x 1.57)
JGHX-900	900	1600	2700	85	57.0	58 x 40 (2.28 x 1.57)
JGHX-1000	1000	1750	3000	94	63.0	53 x 57 (2.08 x 2.24)
JGHX-1200	1200	2100	3600	98	65.7	53 x 57 (2.08 x 2.24)
JGHX-1500	1500	2650	4500	105	70.4	53 x 57 (2.08 x 2.24)

NOTE: The Copper Head Dimension on each size varies based on ampacity.

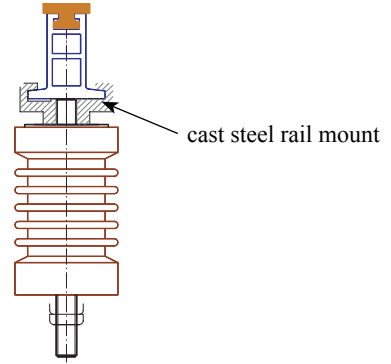
COMPONENTS:		
MODEL	CODE	DESCRIPTION
JGHL (or) JGHX	J	INSULATOR ASSEMBLY
JGHL (or) JGHX	K	FIXING PLATE FOR CONDUCTOR BAR ATTACHMENT
JGHL (or) JGHX	G	STEEL BAR FOR CONDUCTOR BAR ATTACHMENT
JGHL (or) JGHX	F	POWER SUPPLY TERMINAL
JGHL (or) JGHX	E	ISOLATION SECTION (MAINTENANCE)
JGHL (or) JGHX	L	AUXILIARY CABLE CLAMP
JGHL (or) JGHX	B	TEMPERATURE COMPENSATION DEVICE (EXPANSION JOINT)
JGHL (or) JGHX	D	CURRENT COLLECTOR

Insulators and Conductor Rail Mounts:



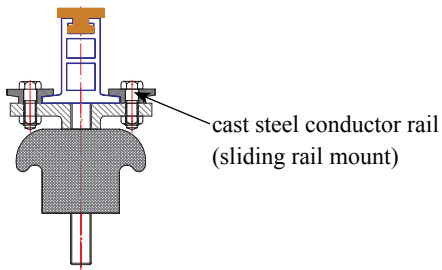
cast steel side mount fixture

**PB04J-G-130**



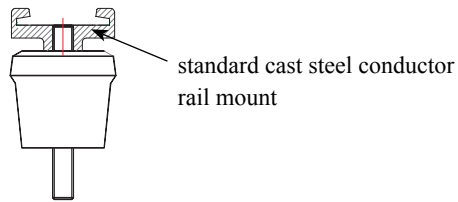
cast steel rail mount

**PB04J-G-130**



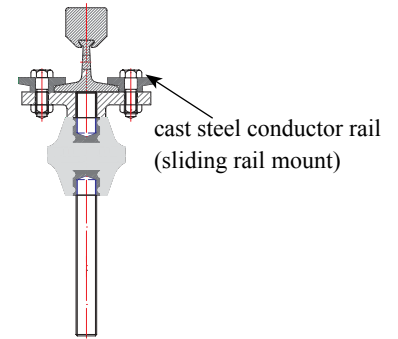
cast steel conductor rail  
(sliding rail mount)

**PB04J-D-90**



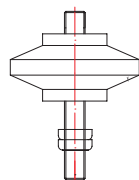
standard cast steel conductor  
rail mount

**PB04J-D-72**

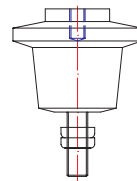


cast steel conductor rail  
(sliding rail mount)

**PB04J-D-60**



**PB04J-D-55**



**PB04J-D-75**

**Insulators:**

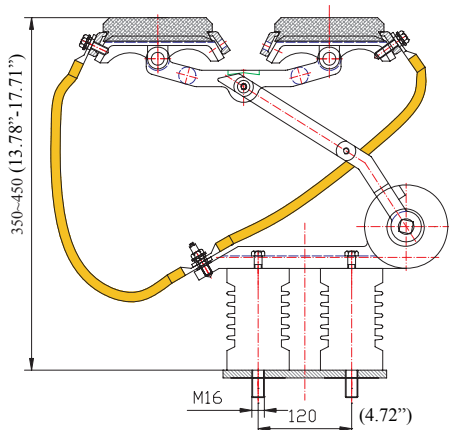
Model	Voltage	Mounting Screw
PB04J-G-130	1000 - 3000	M16
PB04J-D-55	220 - 1000	M12 - M16
PB04J-D-60	220 - 1000	M12 - M16
PB04J-D-72	220 - 1000	M12 - M16
PB04J-D-75	220 - 1000	M12 - M16
PB04J-D-90	220 - 1000	M12 - M16

Name	Specifications
Material	Glass fiber reinforced resin
Withstand Voltage	10 kV
Creepage Distance	> 160 mm
Breakdown Voltage	> 80 kV (in transformer oil)
Bending Strength	> 200 kg
Withstand Acceleration	< 30 g
Manufacture Precision	Mould hot pressed $\pm 0.01$ mm
Withstand Temperature Change	Resistant to Temperature Change
Service Life	20 years
Normal Working Temperature	300°C (572°F)

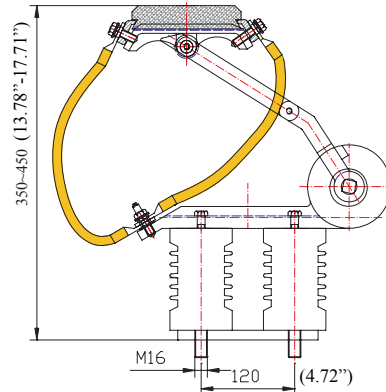
**Current Collector Models:**

Type & Specification	Rated Voltage (V) / (A) Rated Current	Material Structure	Running Speed (m/min)	Automatic Adjusting Range $\pm$		Working Angle 25° - 45°	Brush Size (mm) (L x W x T)	Shunt Wire (mm <sup>2</sup> )
				Up-Down	Left-Right			
PB33-DC-400AB	380V/400A	Hot Rolled Plate	600	40	40	Contacting Press 80-120N	140 x 110 x 30	50 x 2
PB33-DC-800AB	380V/800A	Hot Rolled Plate		40	40		140 x 110 x 30 II	50 x 4
PB33-DC-1200AB	380V/1200A	Hot Rolled Plate		40	40		140 x 110 x 30 II	100 x 4
PB33-DC-I-400AB	380V/400A	Cast Steel		50	50		140 x 110 x 30	50 x 2
PB33-DC-I-800AB	380V/800A	Cast Steel		50	50		140 x 110 x 30 II	50 x 4
PB33-DC-I-1200AB	380V/1200A	Cast Steel		50	50		140 x 110 x 30 II	100 x 4
PB33-DC-II-400AB	380V/400A	Cast Steel		50	50		140 x 110 x 30	50 x 2
PB33-DC-II-800AB	380V/800A	Cast Steel		50	50		140 x 110 x 30 II	50 x 4
PB33-DC-II-1200AB	380V/1200A	Cast Steel		50	50		140 x 110 x 30 II	100 x 4
PB33-GC-I-400AB	3000V/400A	Cast Steel		50	50		140 x 110 x 30	50 x 2
PB33-GC-I-800AB	3000V/800A	Cast Steel		50	50		140 x 110 x 30 II	50 x 4
PB33-GC-I-1200AB	3000V/1200A	Cast Steel		50	50		140 x 110 x 30 II	100 x 4
PB33-GC-II-400AB	3000V/400A	Cast Steel		50	50		140 x 110 x 30	50 x 2
PB33-GC-II-800AB	3000V/800A	Cast Steel		50	50		140 x 110 x 30 II	50 x 4
PB33-GC-II-1200AB	3000V/1200A	Cast Steel		50	50		140 x 110 x 30 II	100 x 4
PB33-DD-400AB	380V/400A	Hot Rolled Plate		600	50		50	Contacting Press 80-120N
PB33-DD-800AB	380V/800A	Hot Rolled Plate	50		50	140 x 110 x 30 II	50 x 4	
PB33-DD-1200AB	380V/1200A	Hot Rolled Plate	50		50	140 x 110 x 30 II	100 x 4	
PB33-DD-400AB	380V/400A	Cast Steel	40		40	140 x 110 x 30	50 x 2	
PB33-DD-800AB	380V/800A	Cast Steel	40		40	140 x 110 x 30 II	50 x 4	
PB33-DD-1200AB	380V/1200A	Cast Steel	40		40	140 x 110 x 30 II	100 x 4	
PB33-GD-400AB	3000V/400A	Cast Steel	40		40	140 x 110 x 30	50 x 2	
PB33-GD-800AB	3000V/800A	Cast Steel	40		40	140 x 110 x 30 II	50 x 4	
PB33-GD-1200AB	3000V/1200A	Cast Steel	40	40	140 x 110 x 30 II	100 x 4		

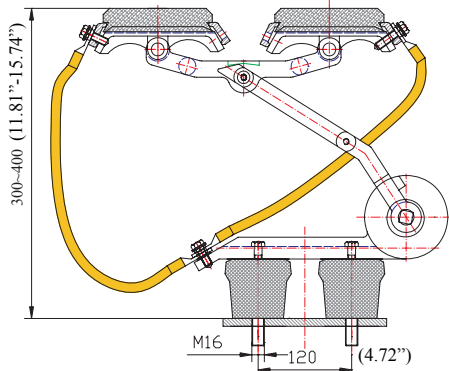
- Note:
1. LV current collectors can be substituted by HV current collectors but HV current collectors can not be substituted by LV current collectors.
  2. The electrical brushes are made of D66 Carbon Graphite.



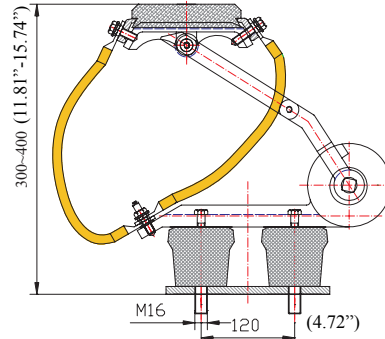
PB33-GC- I -800A (1200A)



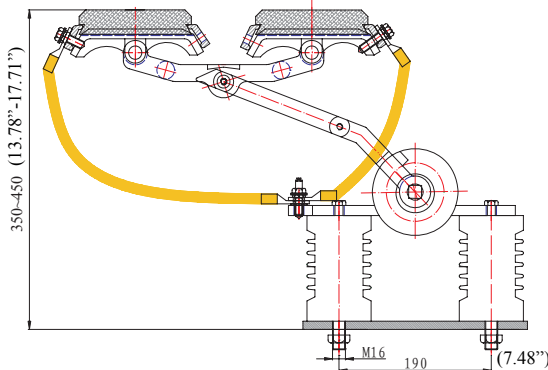
PB33-GC- I -400A



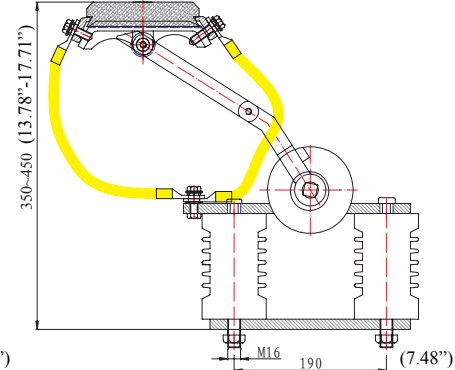
PB33-DC- I -800A (1200A)



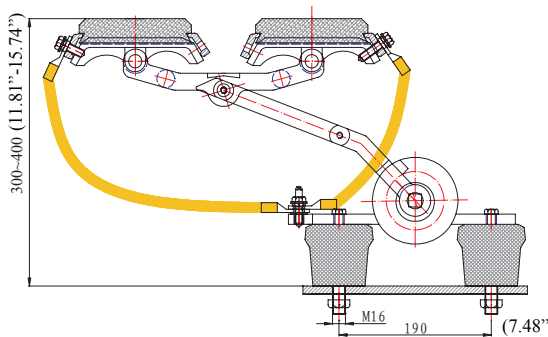
PB33-DC- I -400A



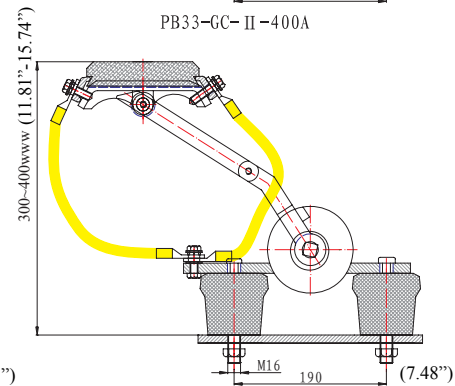
PB33-GC- II -800A (1200A)



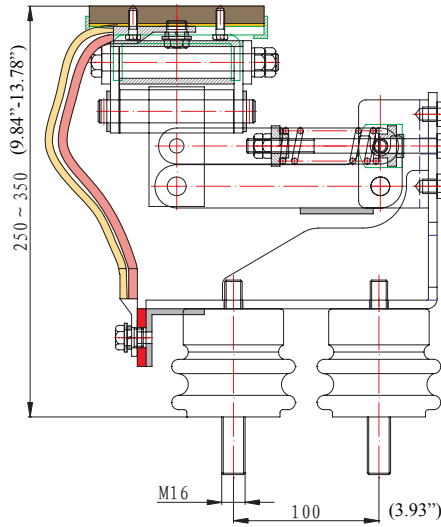
PB33-GC- II -400A



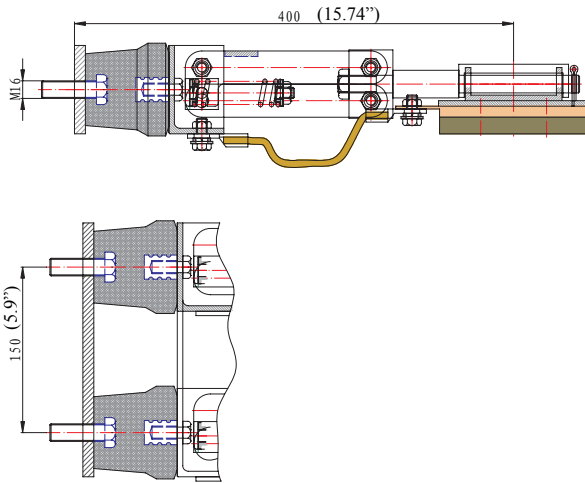
PB33-DC- II -800A (1200A)



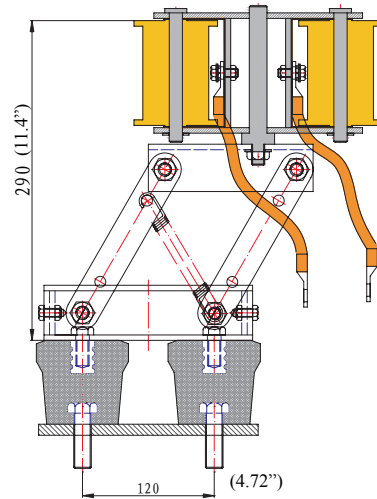
PB33-DC- II -400A



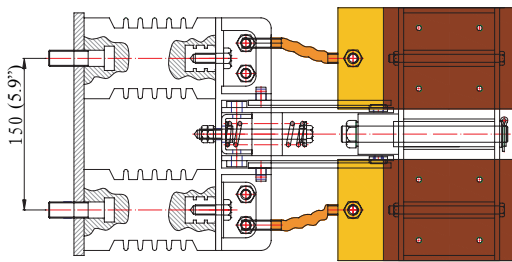
PB33-DC-400A (800A, 1200A)



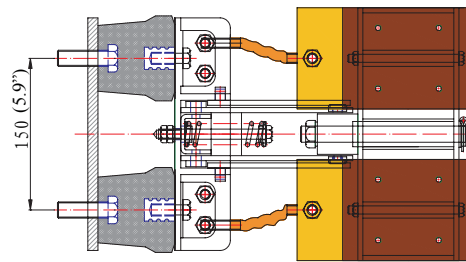
PB33-DD-II-800A (1200A)



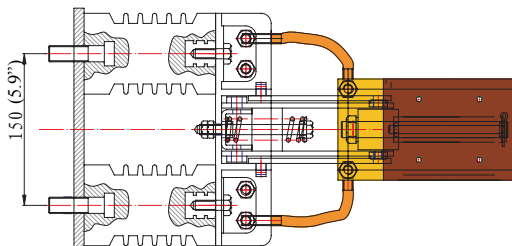
PB33-DD-I-800A (1200A)



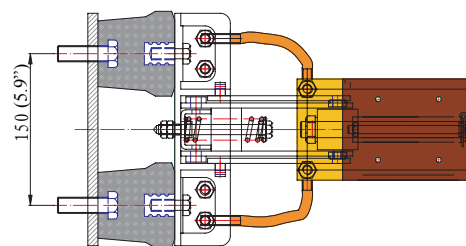
PB33-GD-II-800A (1200A)



PB33-DD-II-800A (1200A)

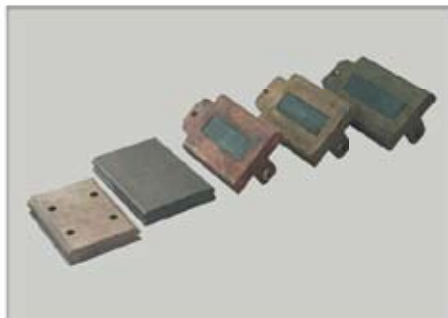


PB33-GD-II-400A



PB33-DD-II-400A

APPLICATION & PRODUCT PHOTOS





**Gleason Reel Corp.**  
600 S. Clark St.  
Mayville, WI 53050  
PH 920-387-4120 | FAX 920-387-4189  
[www.hubbell-gleason.com](http://www.hubbell-gleason.com)

JGHCB0411.a